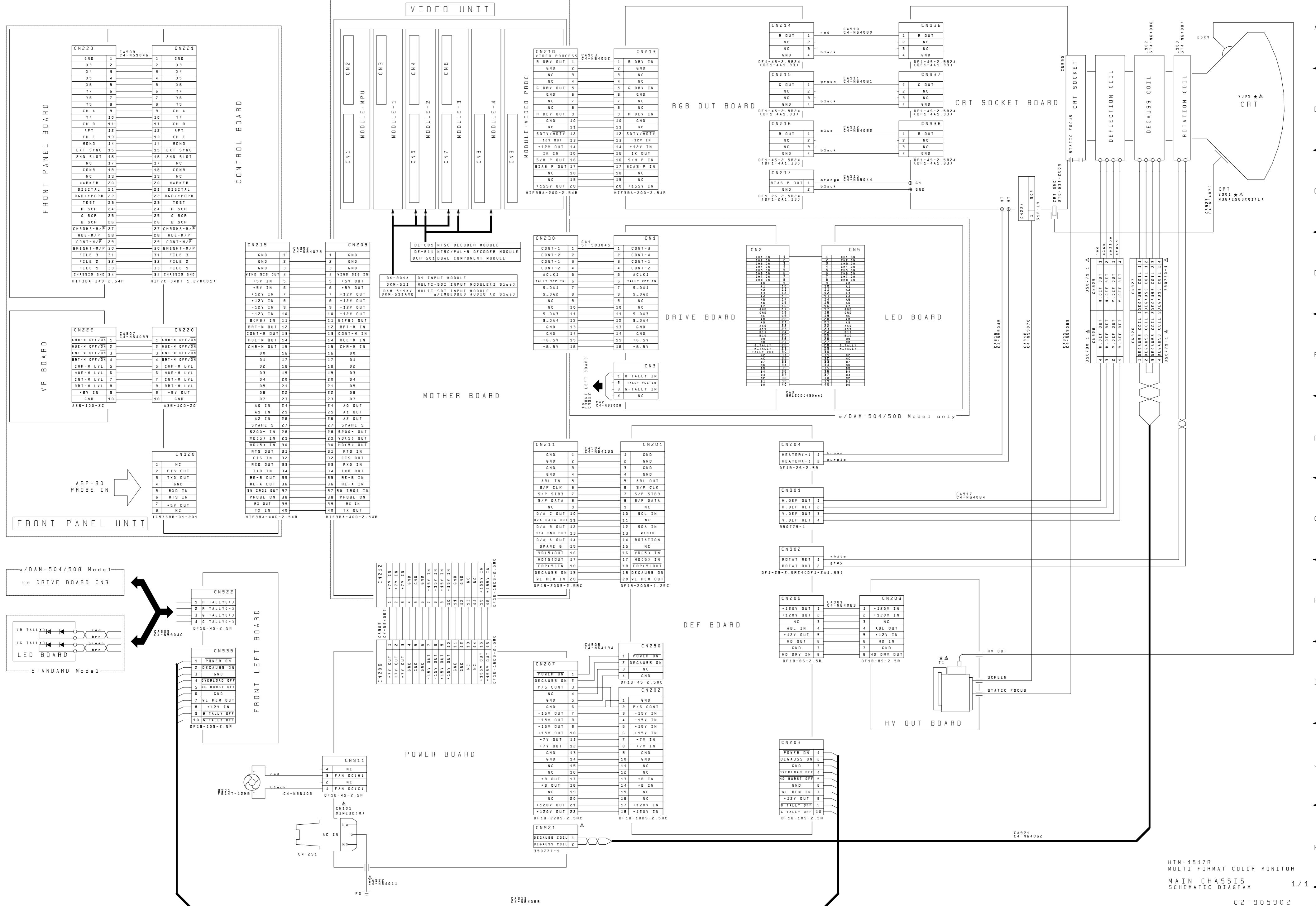
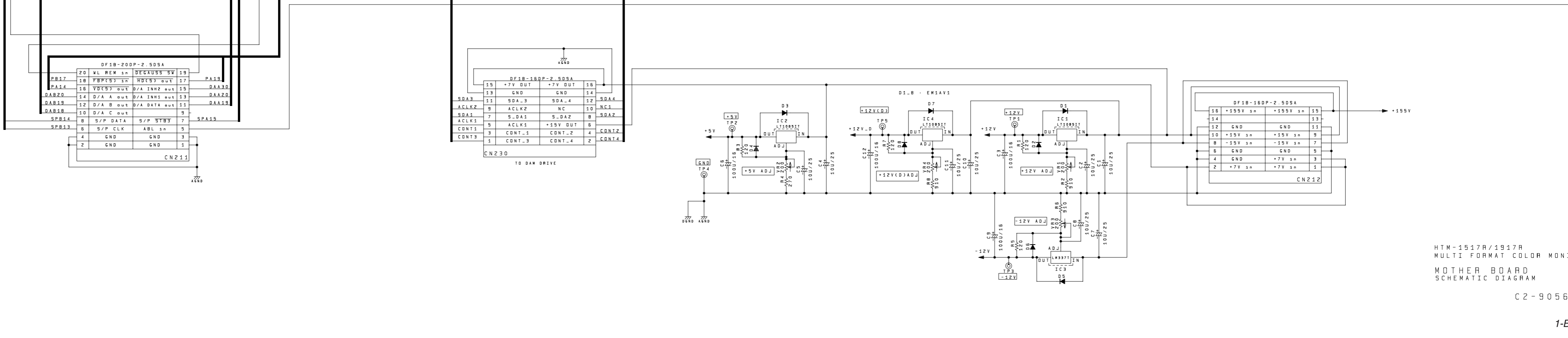
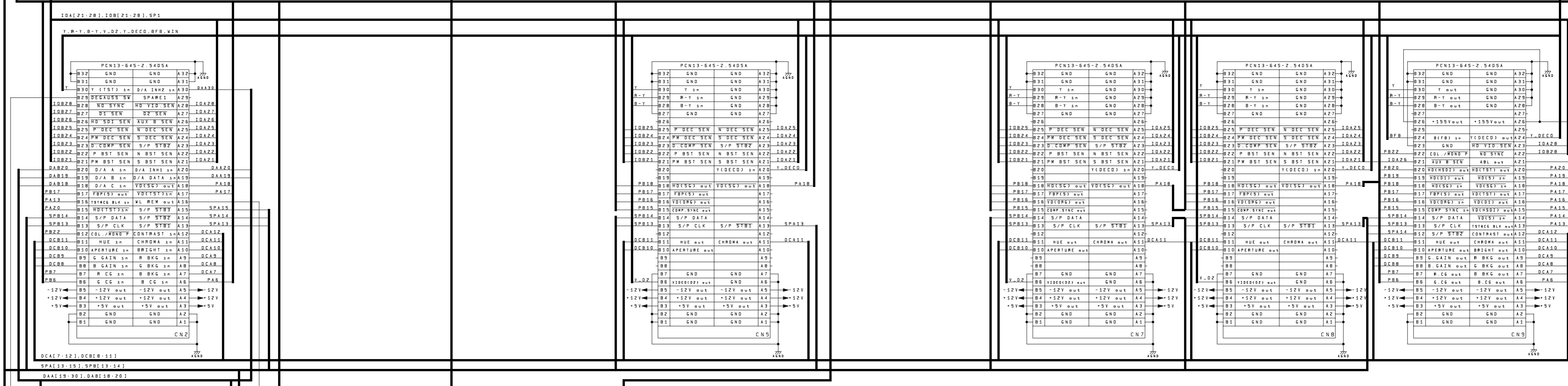
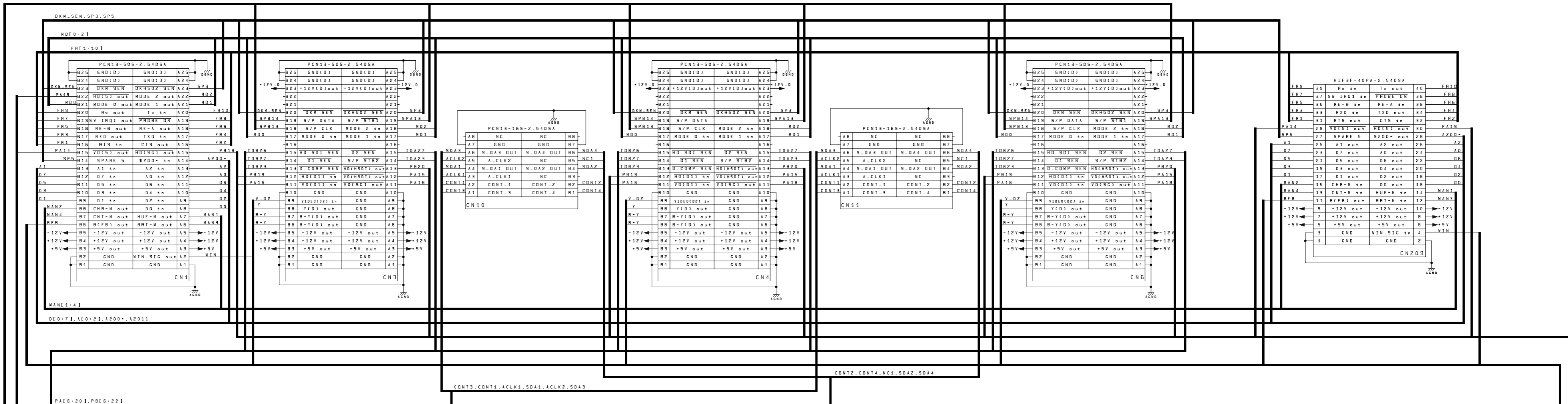


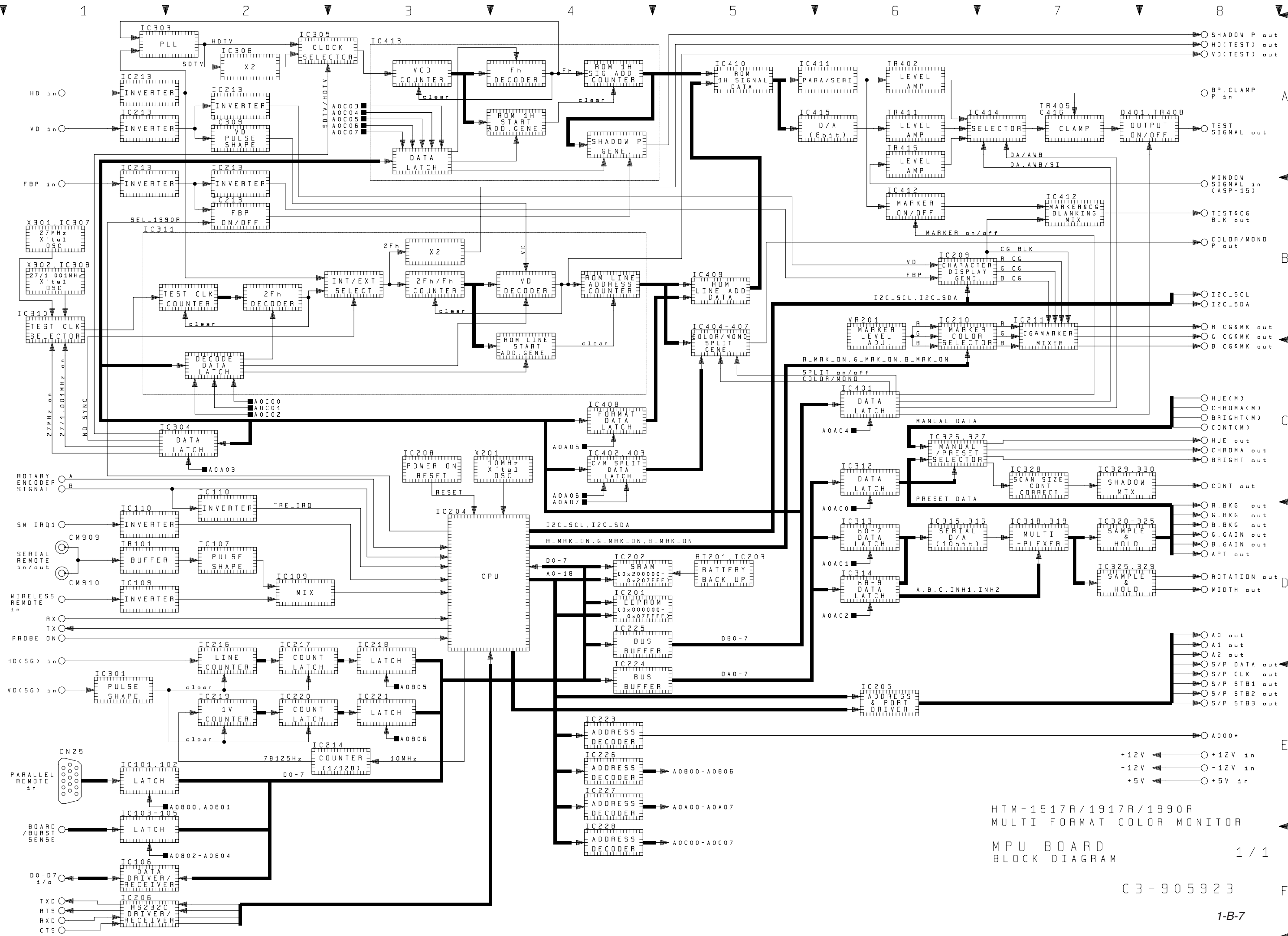
HTM-1517R/1917R
 MULTI FORMAT COLOR MONITOR
 MAIN CHASSIS
 BLOCK DIAGRAM

1 / 1 H
 C2-905709





H7M-1517R/1917R
 MULTI FORMAT COLOR MONITOR
 MOTHER BOARD
 SCHEMATIC DIAGRAM



HTM-1517R/1917R/1990R
MULTI FORMAT COLOR MONITOR

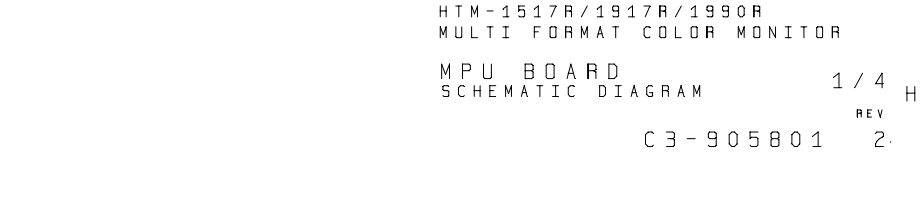
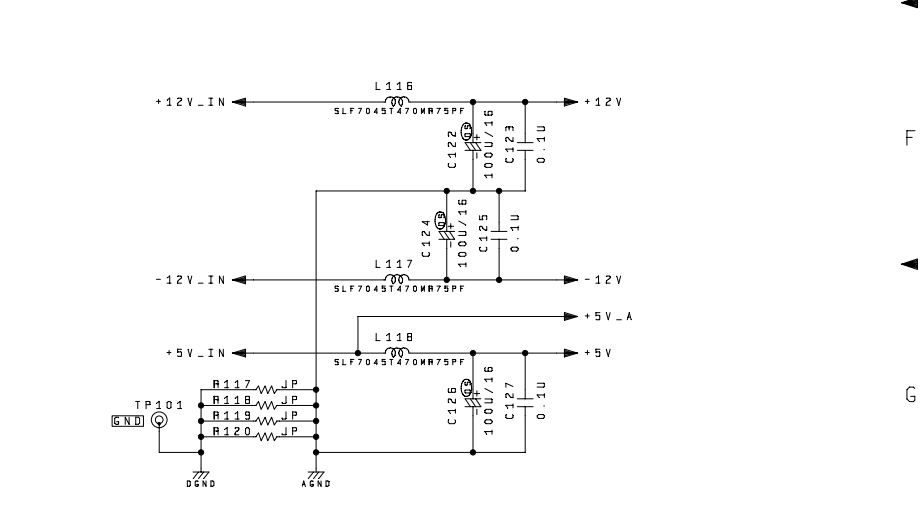
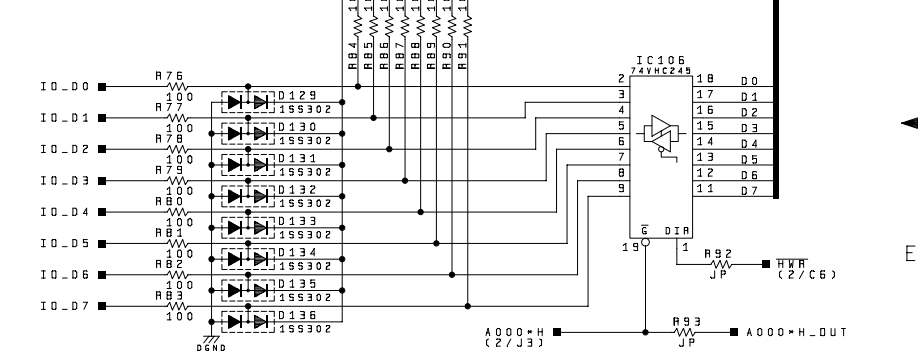
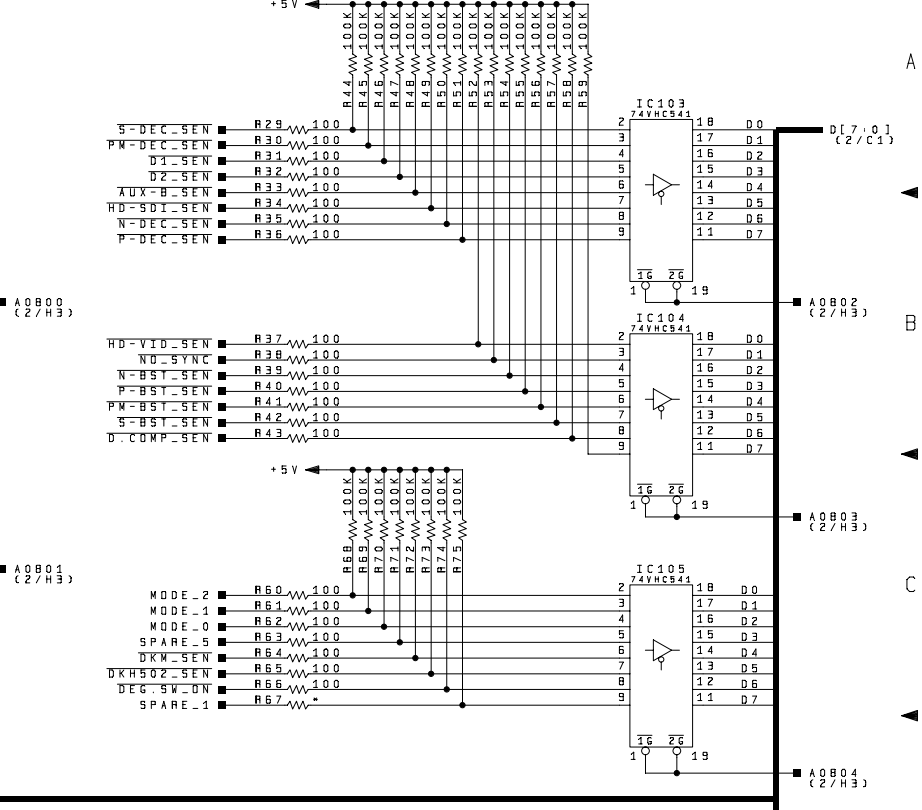
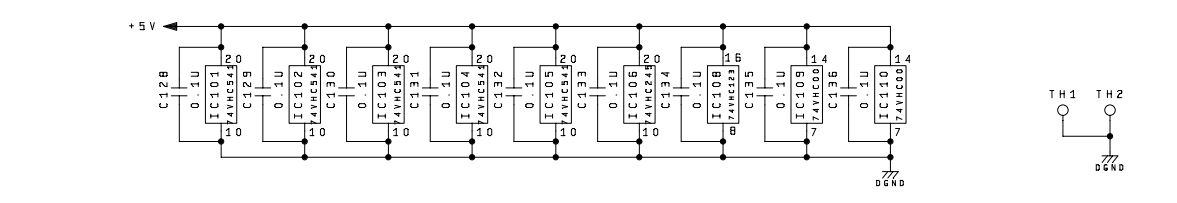
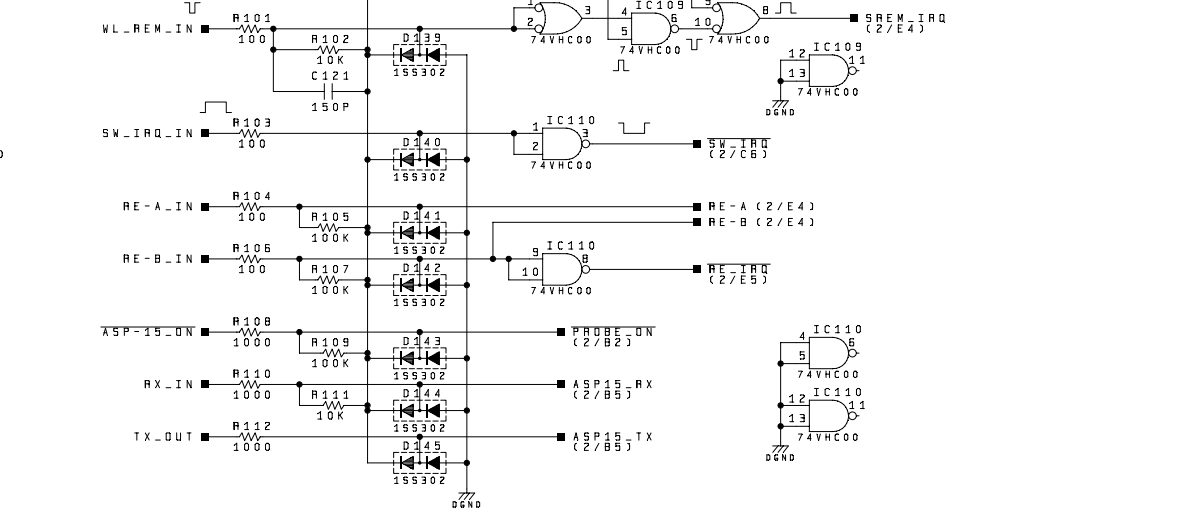
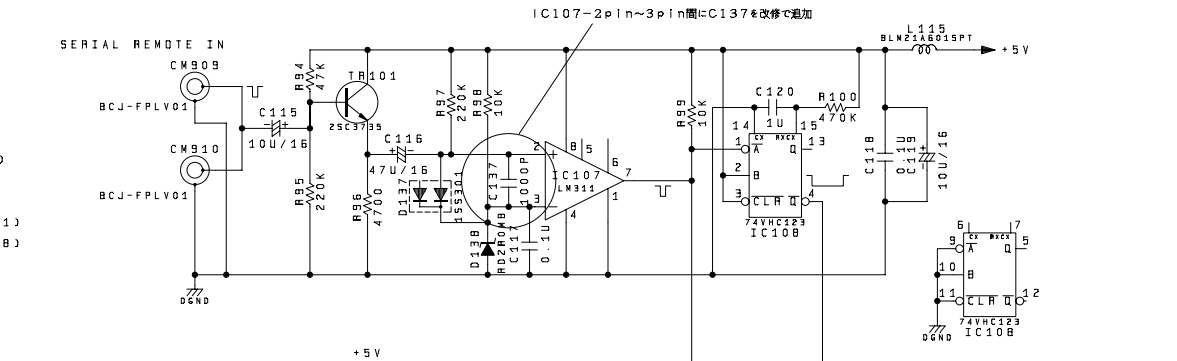
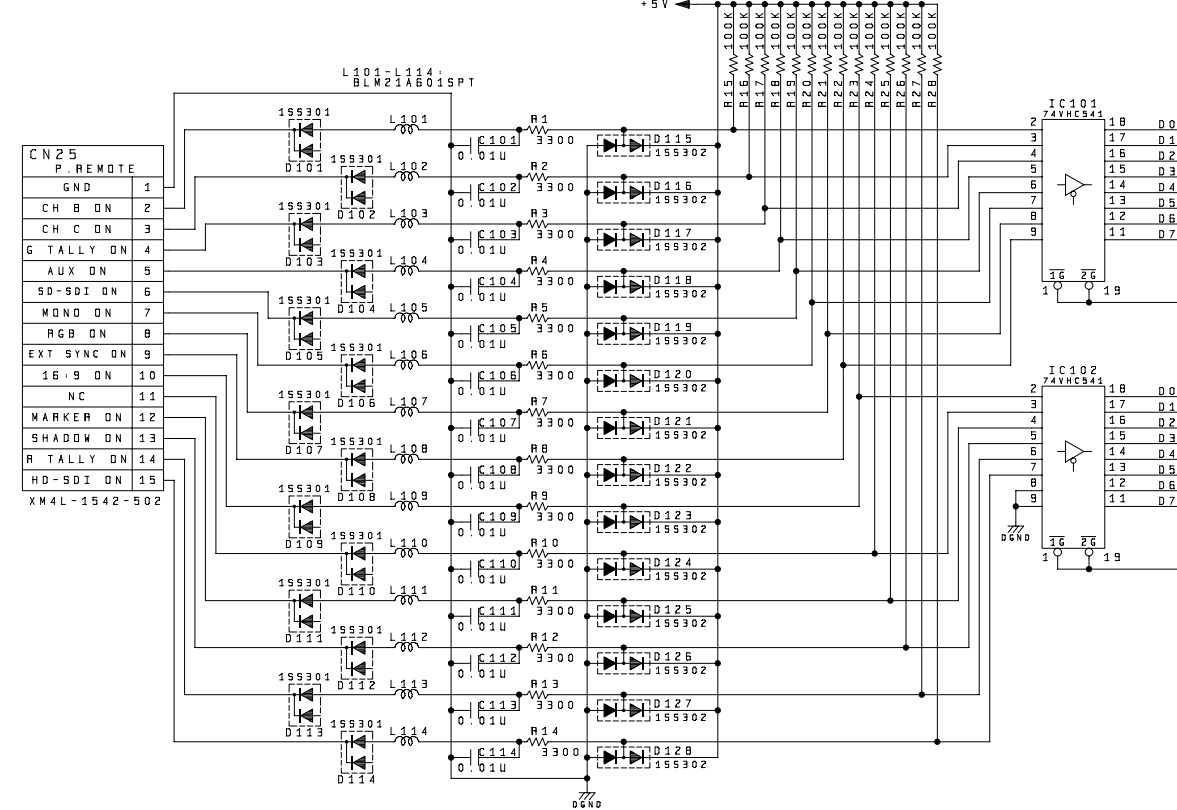
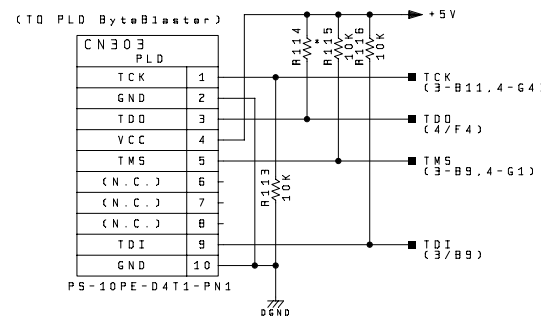
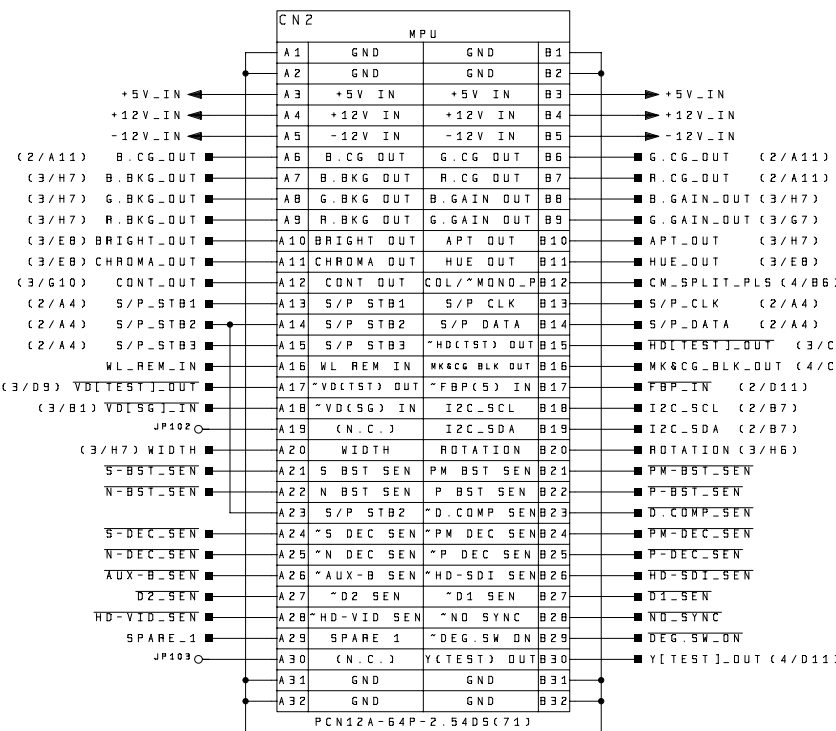
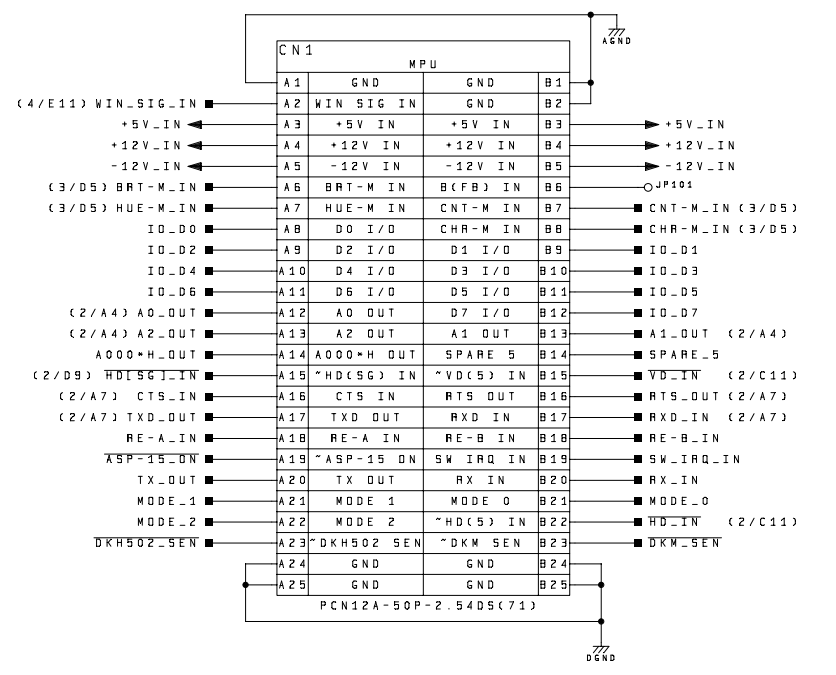
MPU BOARD
BLOCK DIAGRAM 1 / 1

C3-905923

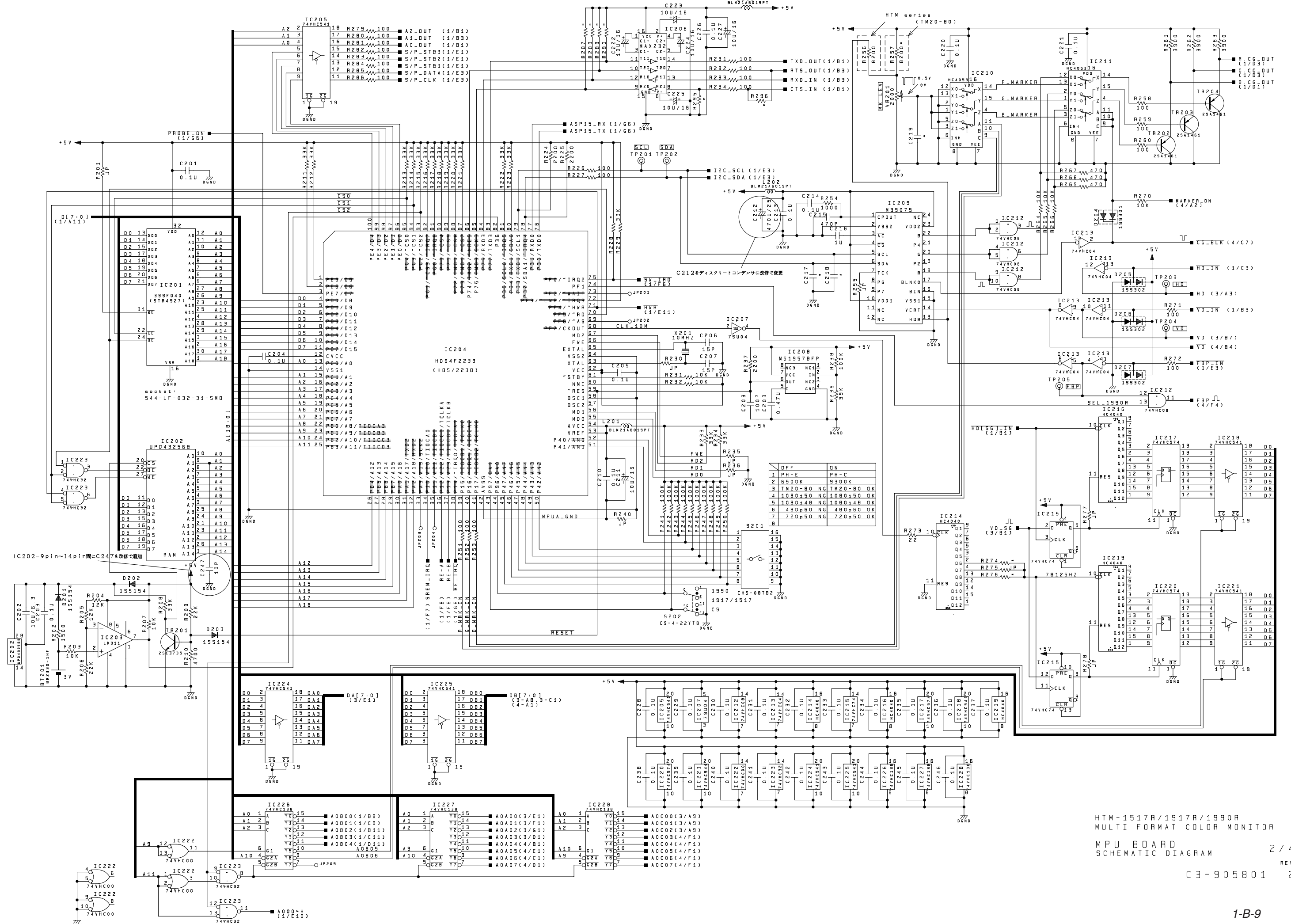
1-B-7

+12V in
-12V in
+5V in

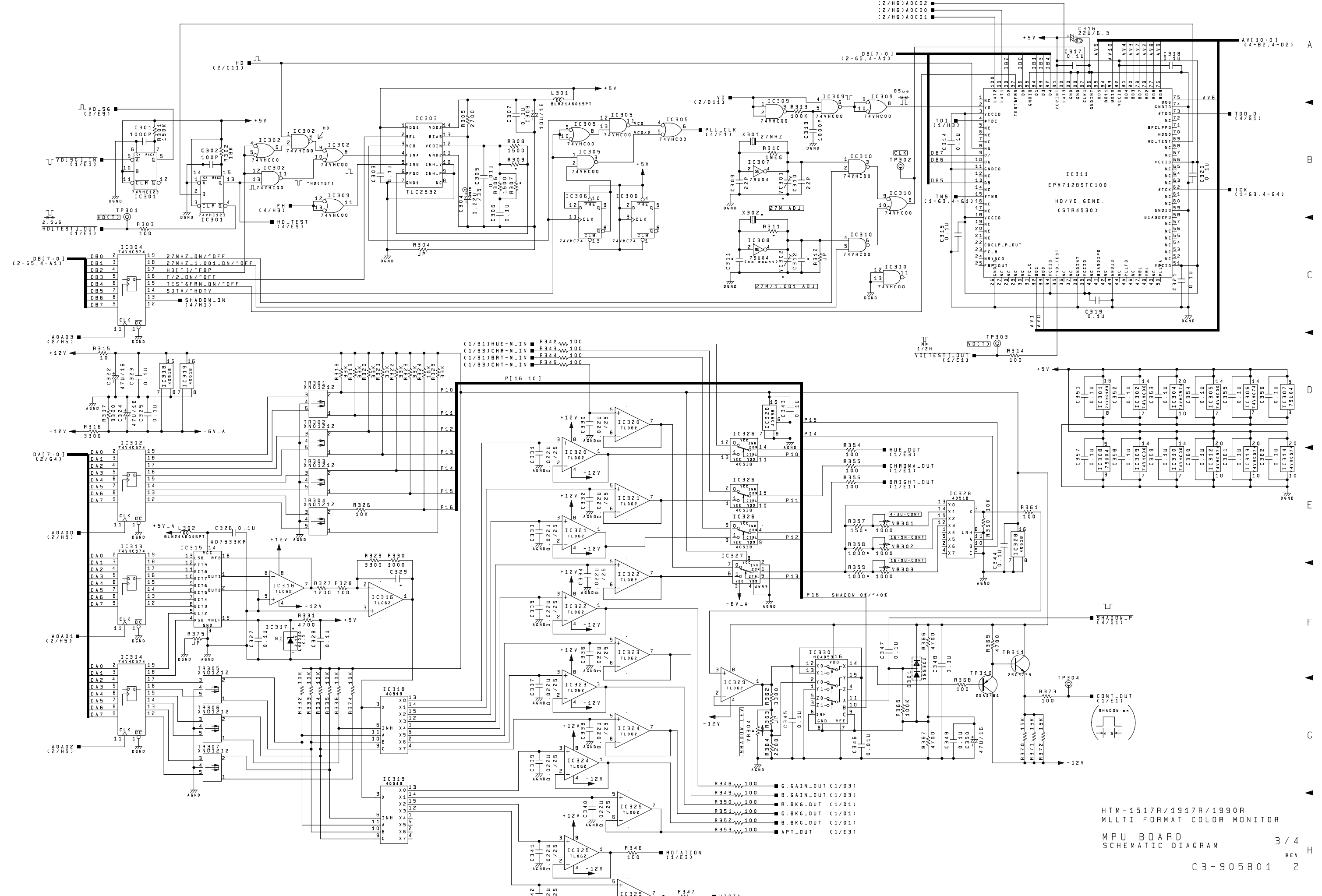
A
B
C
D
E
F



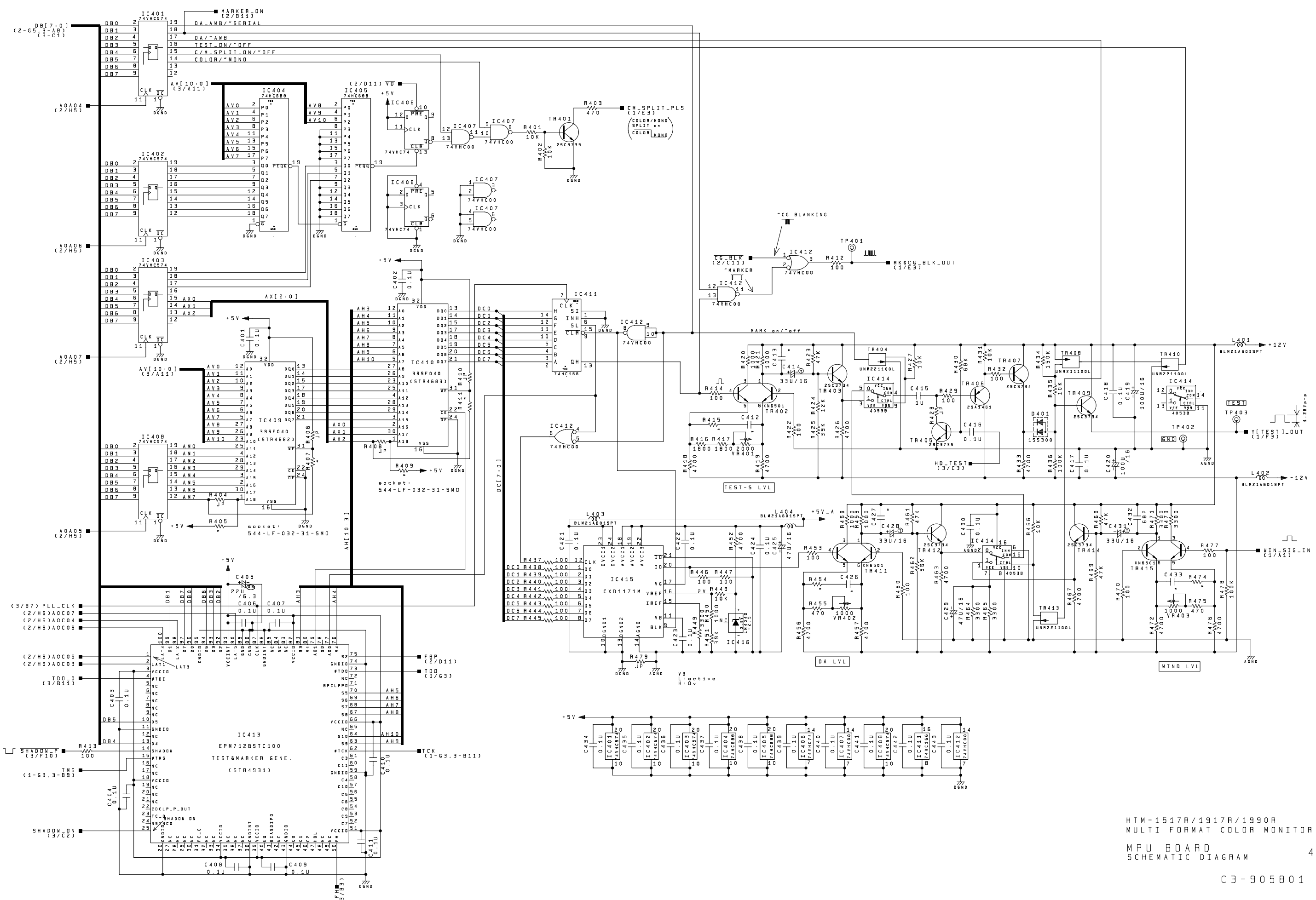
HTM-1517R/1917R/1990R
MULTI FORMAT COLOR MONITOR
MPU BOARD
SCHEMATIC DIAGRAM 1/4
REV
C3-905801 2.



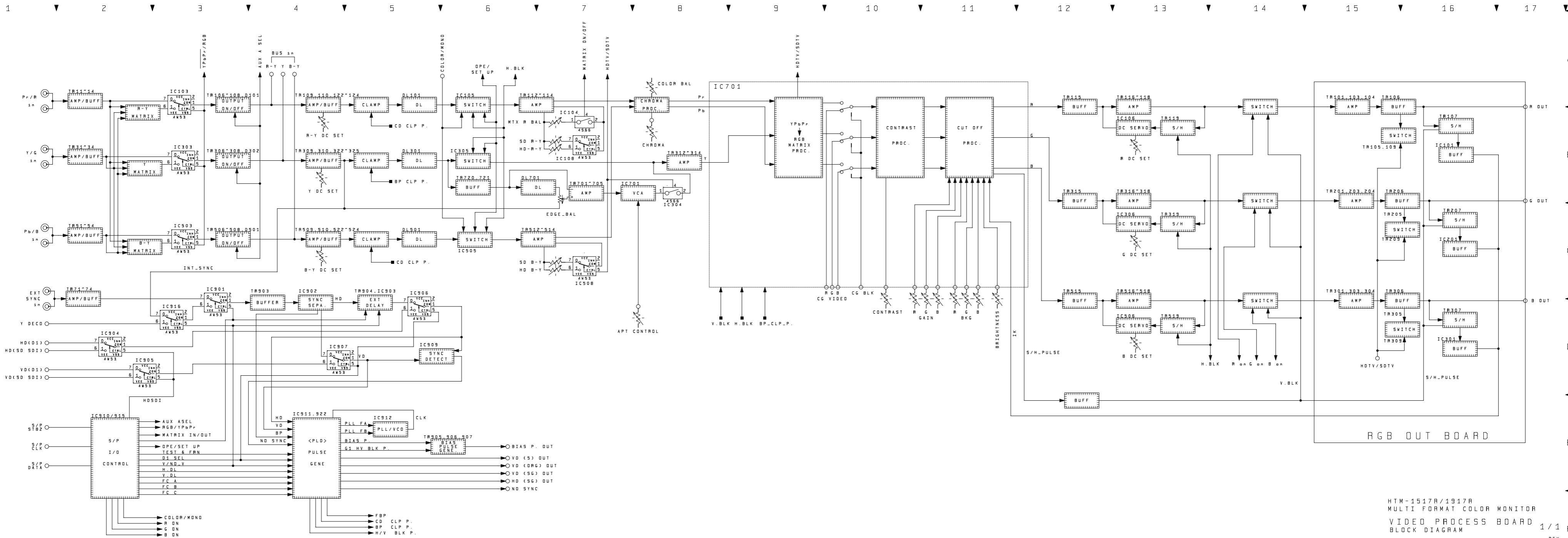
HTM-1517R/1917R/1990R
 MULTI FORMAT COLOR MONITOR
 MPU BOARD
 SCHEMATIC DIAGRAM
 C3-905801



HTM-1517R/1917R/1990R
 MULTI FORMAT COLOR MONITOR
 MPU BOARD
 SCHEMATIC DIAGRAM
 3 / 4
 REV
 C3-905801 2

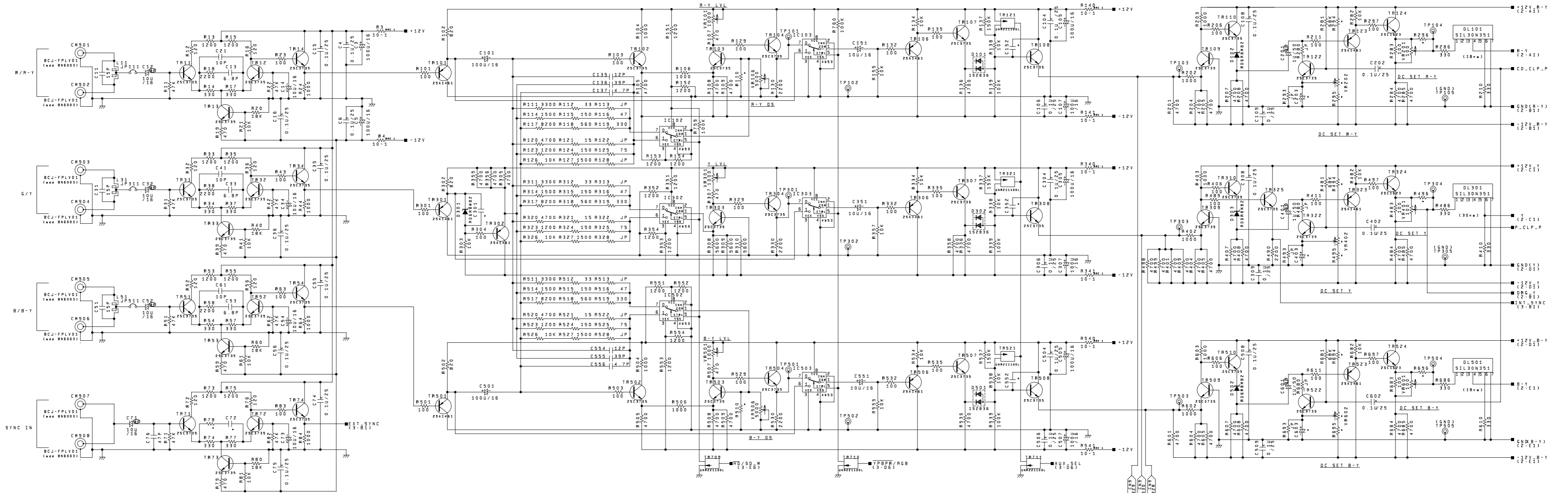


HTM-1517R/1917R/1990R
 MULTI FORMAT COLOR MONITOR
 MPU BOARD
 SCHEMATIC DIAGRAM
 C3-905801

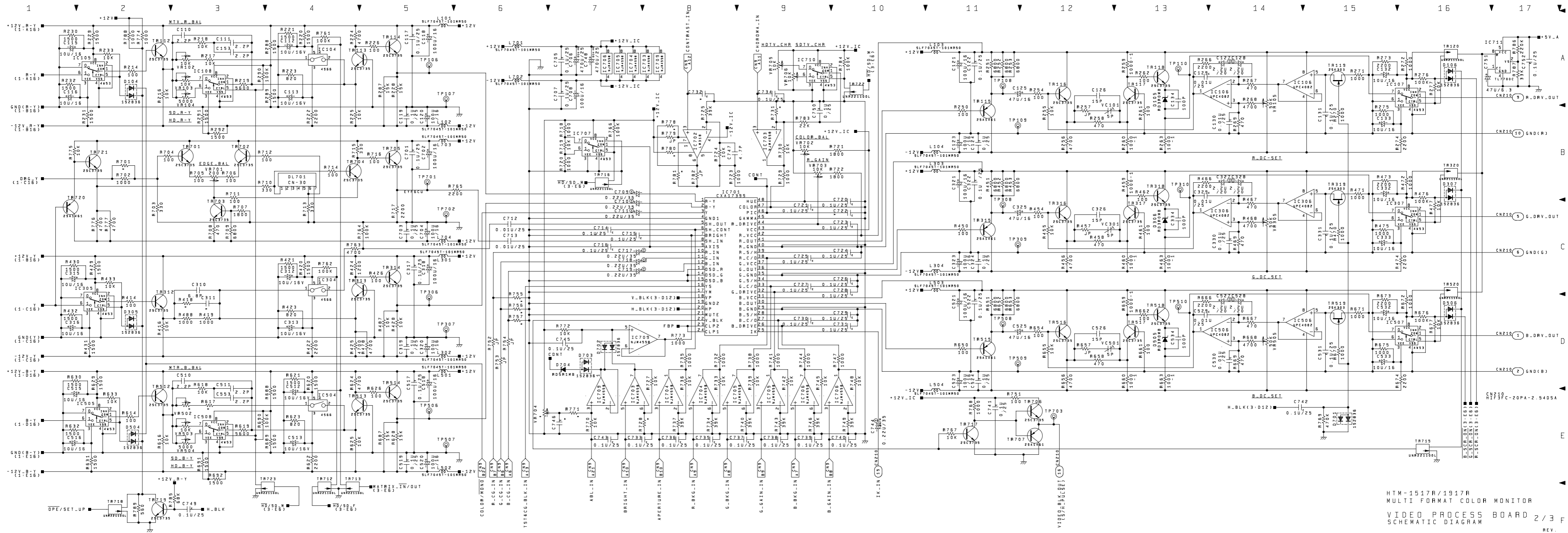


HTM-1517R/1917R
 MULTI-FORMAT COLOR MONITOR
 VIDEO PROCESS BOARD 1/1 F
 BLOCK DIAGRAM REV. 1
 C11-905708 1

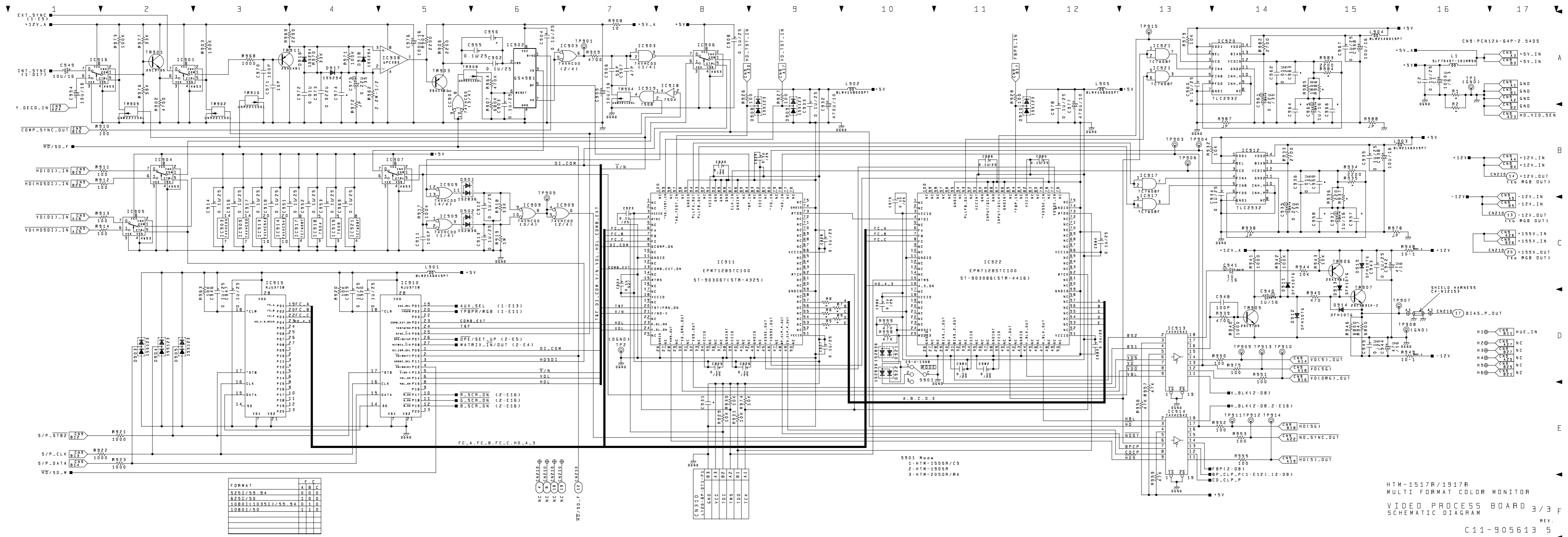
1 2 3 4 5 6 7 8 9 10 11 12 13 14 15 16 17



HIM-1517R/1917R
MULTI FORMAT COLOR MONITOR
VIDEO PROCESS BOARD 1/3 F
SCHEMATIC DIAGRAM REV.
C11-905613 5



HM-1517R/1917R
 MULTI FORMAT COLOR MONITOR
 VIDEO PROCESS BOARD 2/3 F
 SCHEMATIC DIAGRAM
 REV. 1
 C11-905613 5

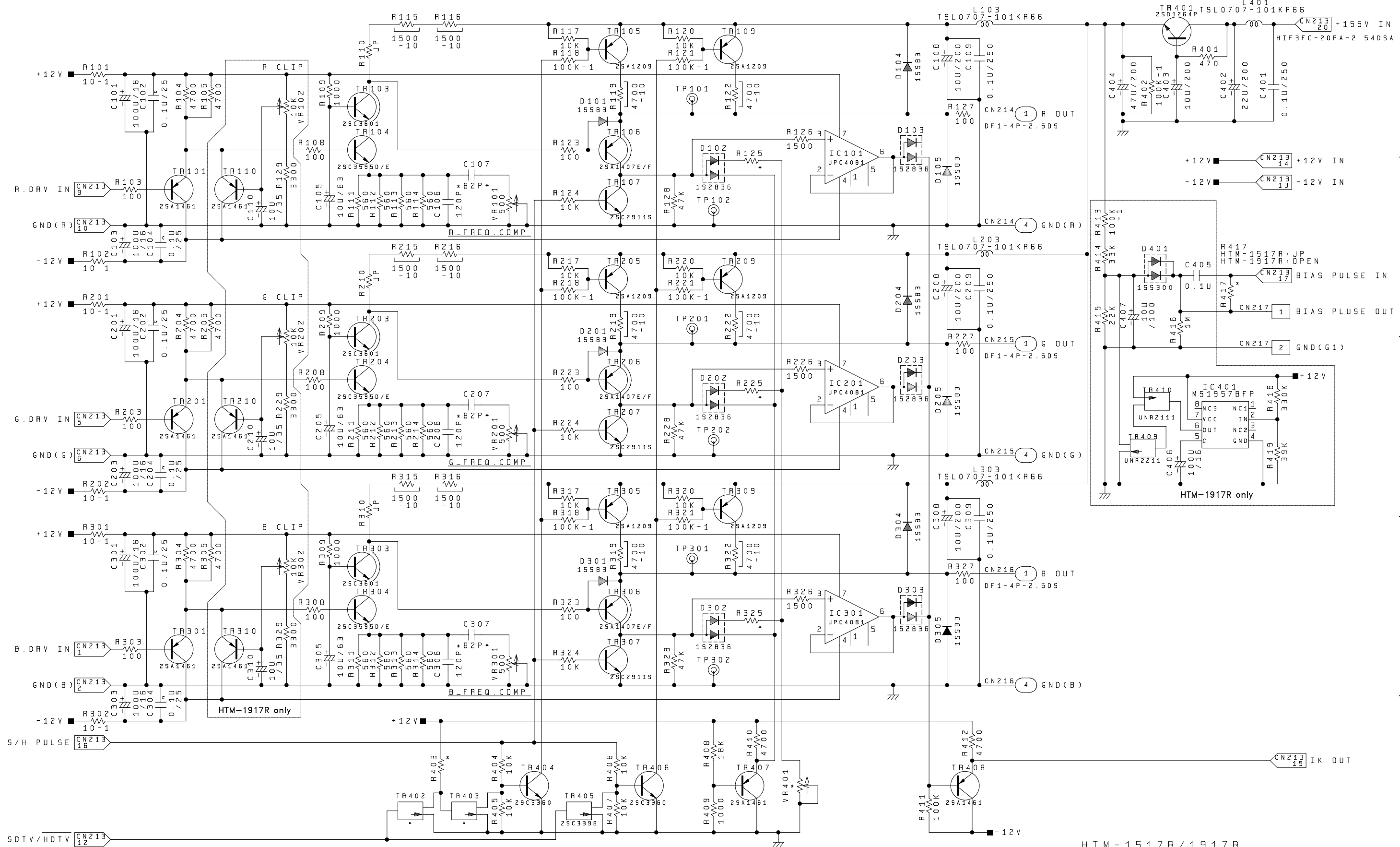


FORMAT	1	2	3
525I/59.94	0	0	0
625I/50	1	0	0
1080I(1035I)/59.94	0	1	0
1080I/50	1	1	0

NC ()
 0V ()
 5V ()

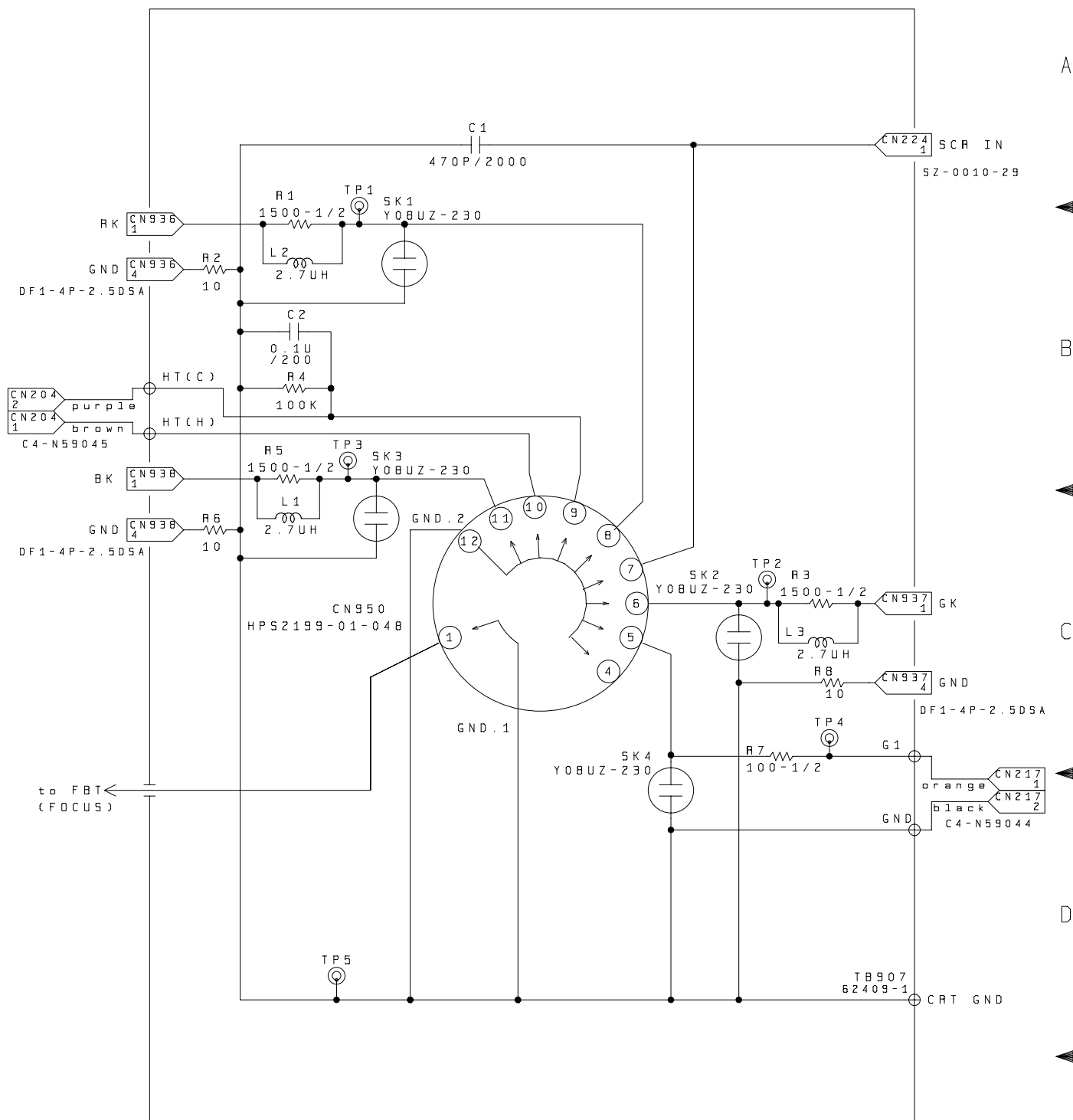
5901 Mem
 1: HTM-1505R/CS
 2: HTM-1505R
 3: HTM-2050R/RA

HTM-1517R/1917R
 MULTI FORMAT COLOR MONITOR
 VIDEO PROCESS BOARD 3/3 F
 SCHEMATIC DIAGRAM
 REV. C11-905613 5



HTM-1517R/1917R
 MULTI FORMAT COLOR MONITOR
 RGB OUT BOARD
 SCHEMATIC DIAGRAM

C3-905900

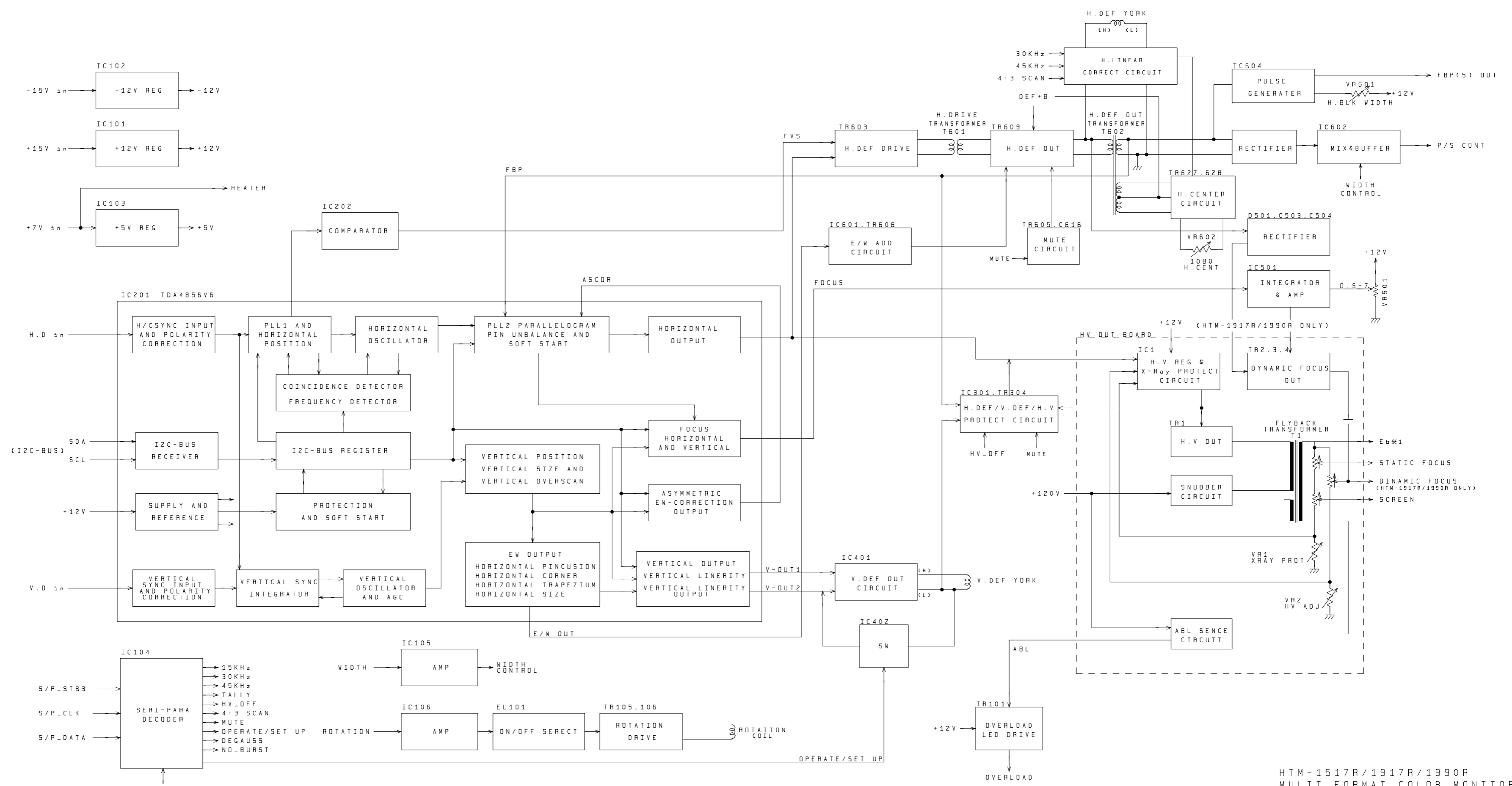


HTM-1517R
 MULTI FORMAT COLOR MONITOR
 CRT SOCKET BOARD
 SCHEMATIC DIAGRAM

1 / 1

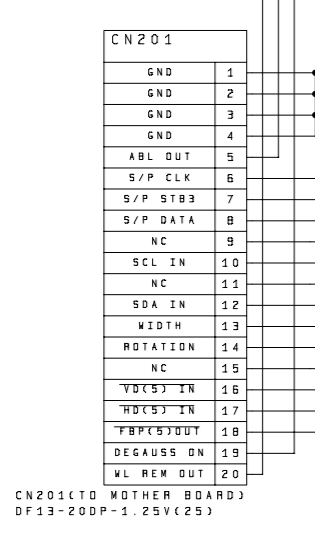
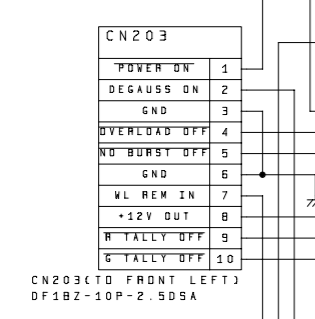
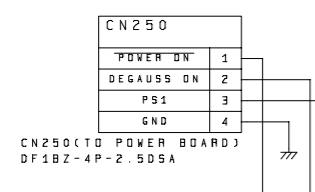
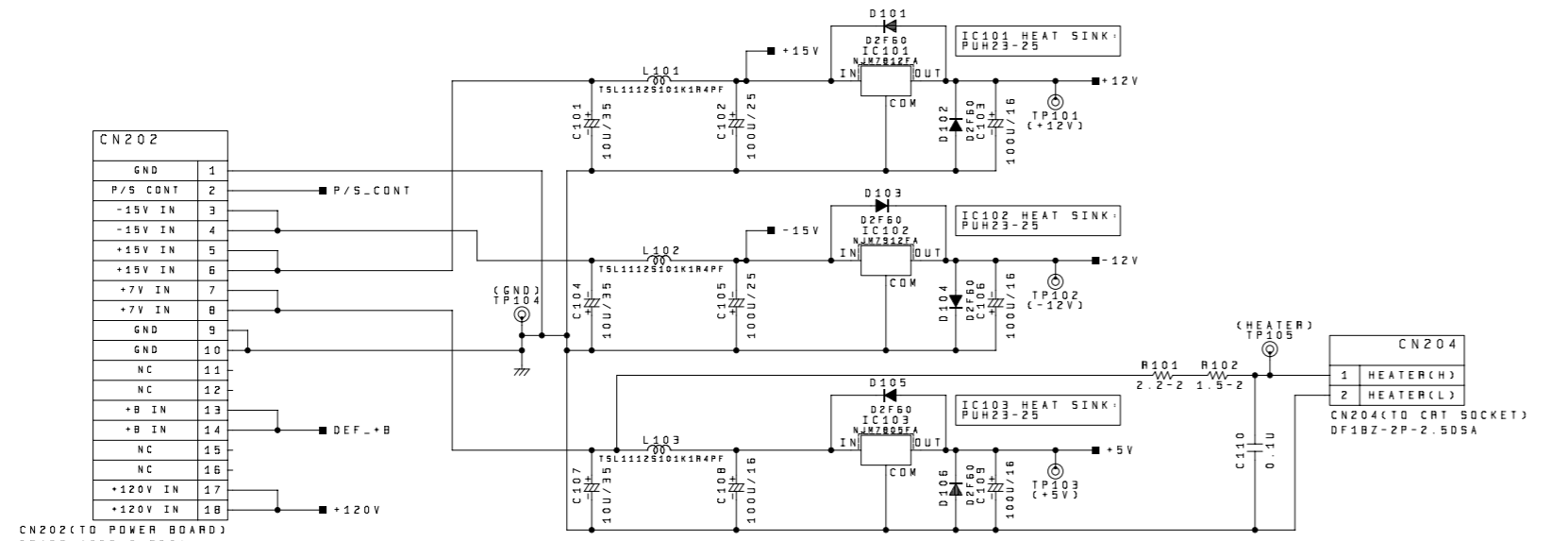
REV

C4-905417 3 F



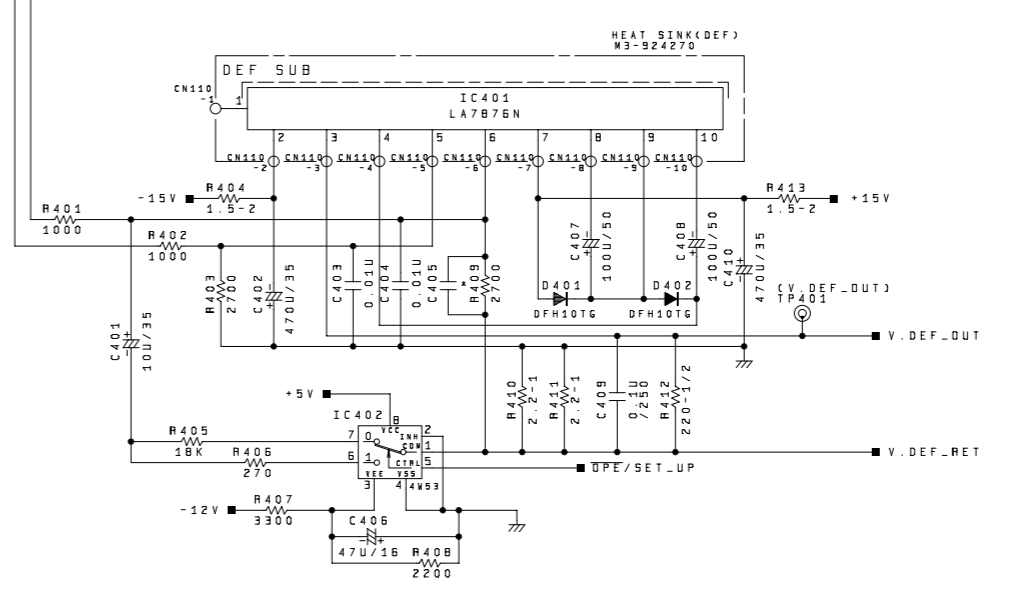
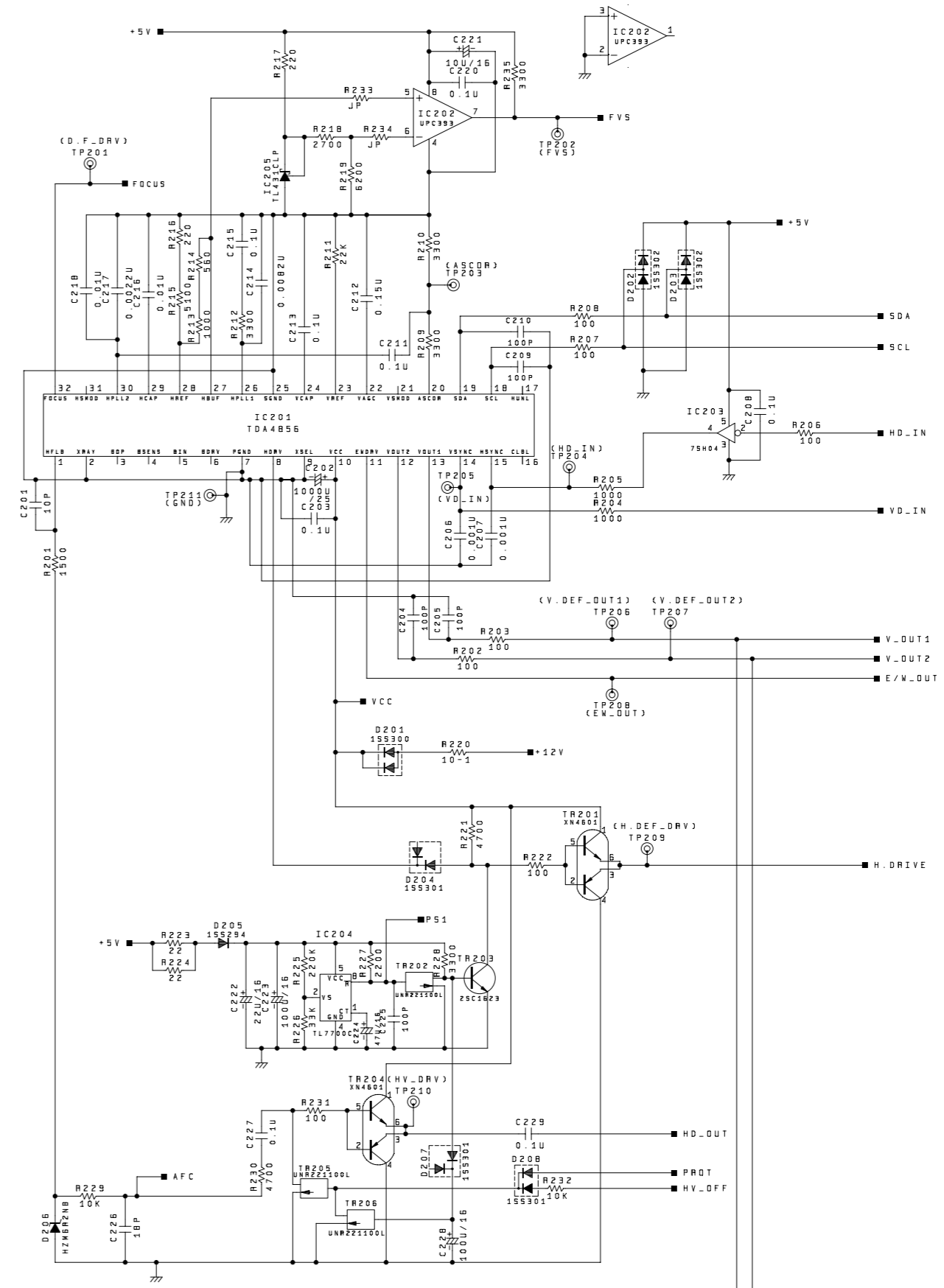
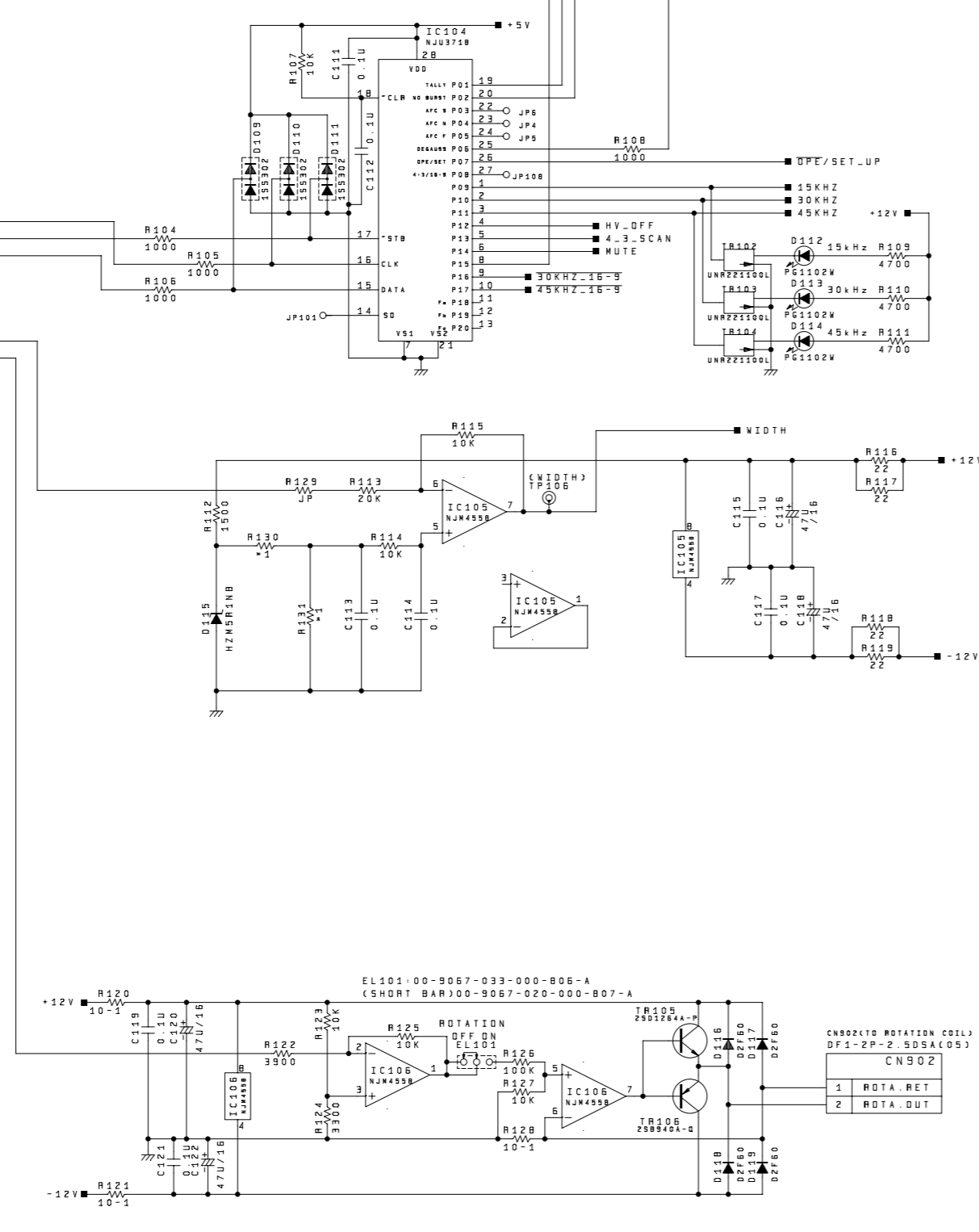
Note:
 #1 For the high voltage, HTM-1517 is 25kV and HTM-1917R/1990R is 26kV.

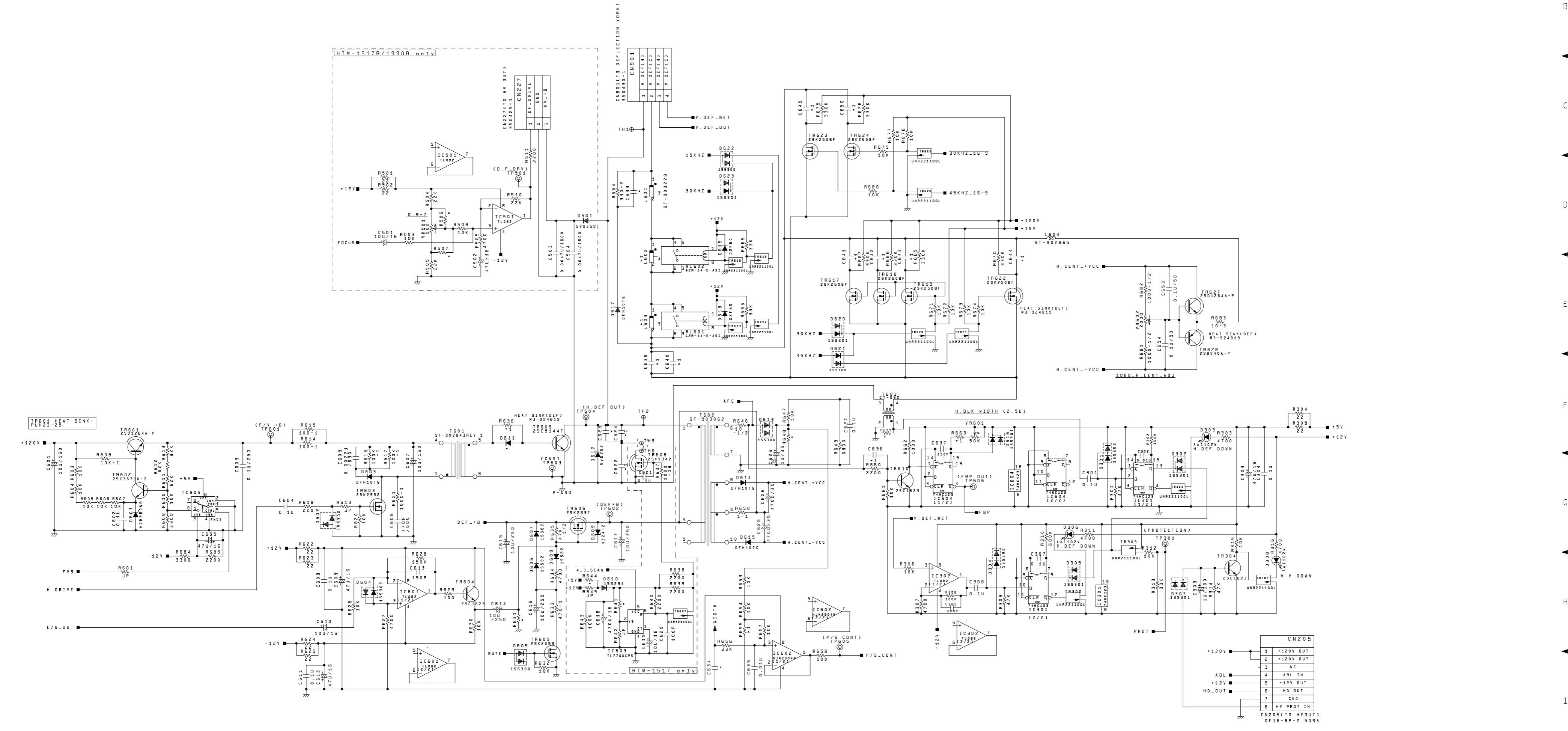
HTM-1517R/1917R/1990R
 MULTI FORMAT COLOR MONITOR
 DEF BOARD/HV OUT BOARD 1/1 F
 BLOCK DIAGRAM
 C21-905929



*1 parts contents

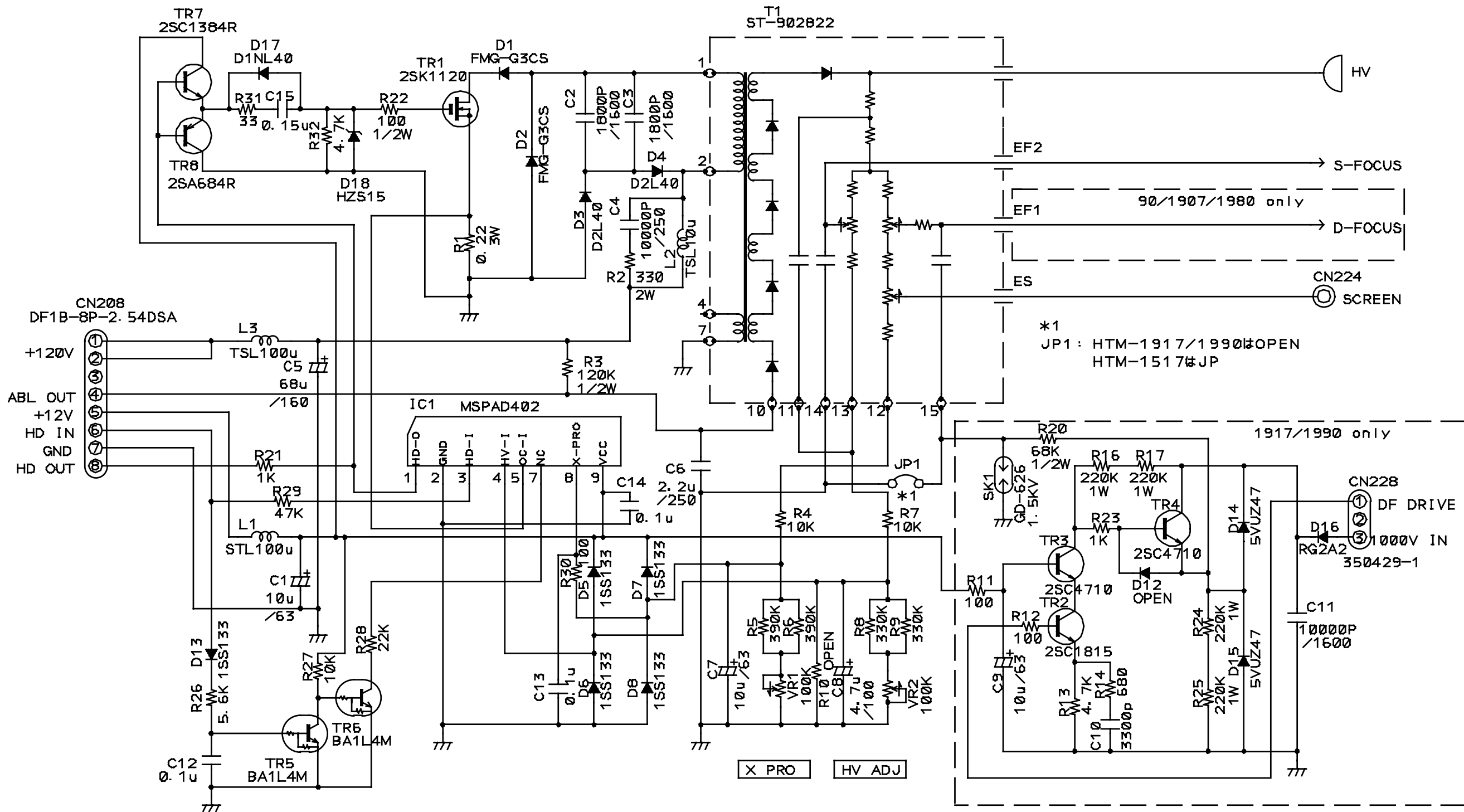
MONITOR TYPE	R130	R131
HTM-1517	2200	3300
HTM-1917R/1990R	3300	6200





*1 PARTS LIST

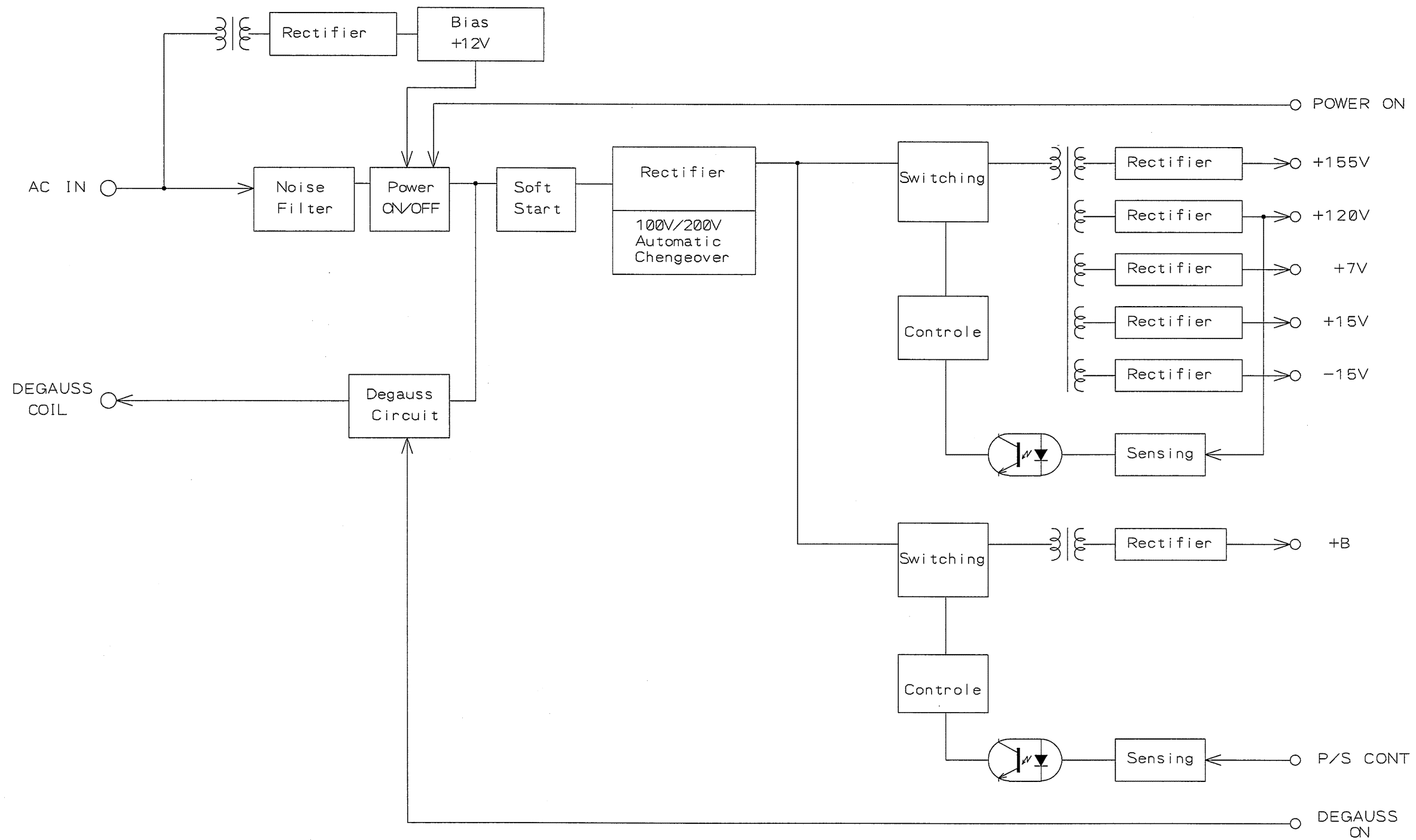
MONITOR TYPE	C622	C624	R636	L602	L603	C639	C640	C641	C642	C643	C644	C649	C650	R655	C636	R663
HTM-1517	0.0056U/1800VHP	0.0047U/1800VHP	1-3W	ST-902866	ST-903261	0.1U/800V	0.1U/800V	1U/250V	1U/250V	1U/250V	0.33U/250V	0.15U/250V	0.22U/250V	2200	470P	6800
HTM-1917R/1990R	0.015U/1800VHP	0.01U/1800VHP	0.47-3W	ST-903260	ST-903065	0.33U/630V	0.22U/630V	2.2U/250V	2.2U/250V	3.9U/250V	0.82U/250V	0.47U/250V	0.82U/250V	3300	NOT USED	4700



HTM-1517R/1917R/1990R
MULTI FORMAT COLOR MONITOR

HV OUT BOARD 1/1
SHCEMATIC DIAGRAM

C3-N36175

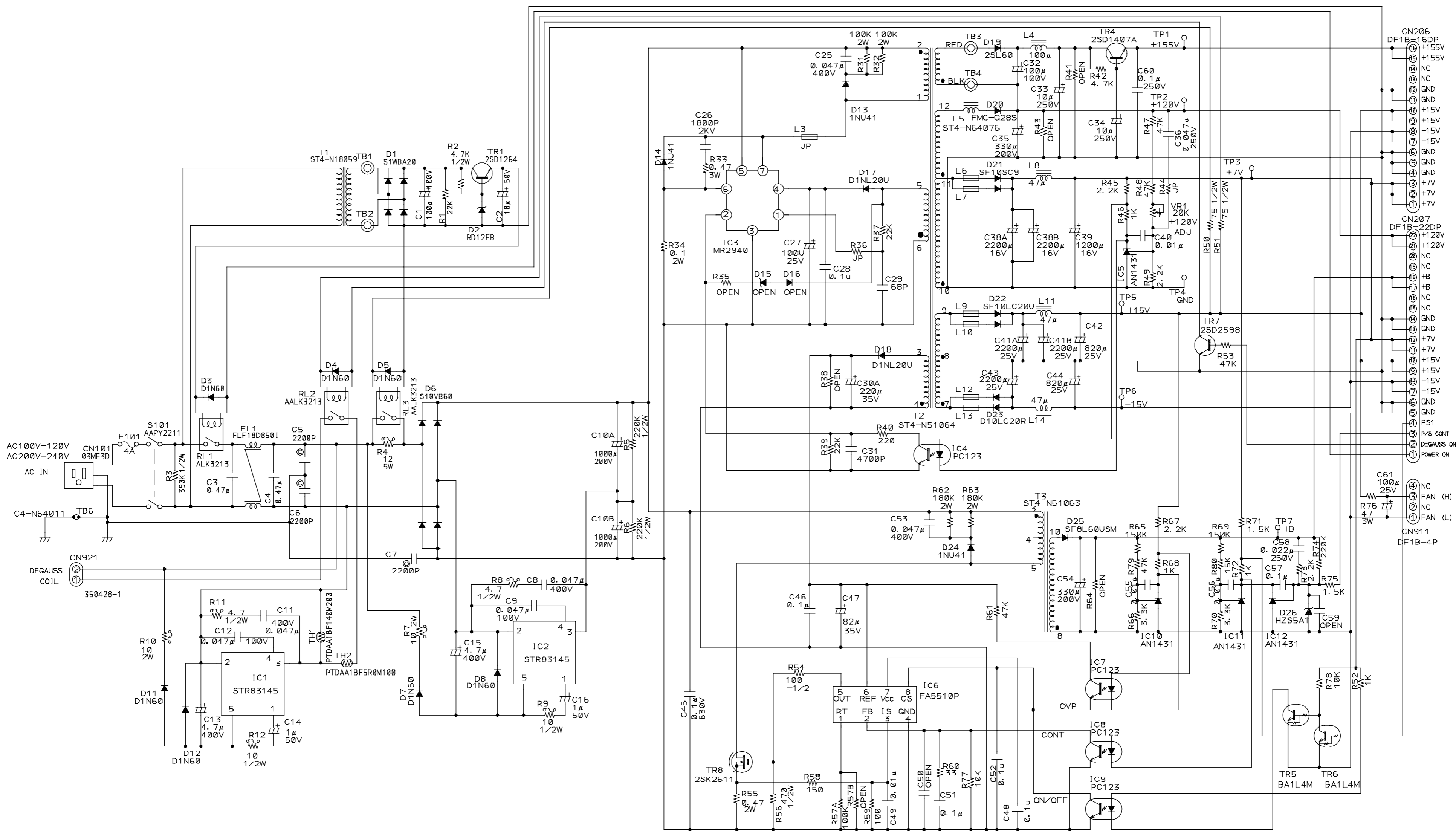


HTM-1517R/1917R
MULTI FORMAT COLOR MONITOR

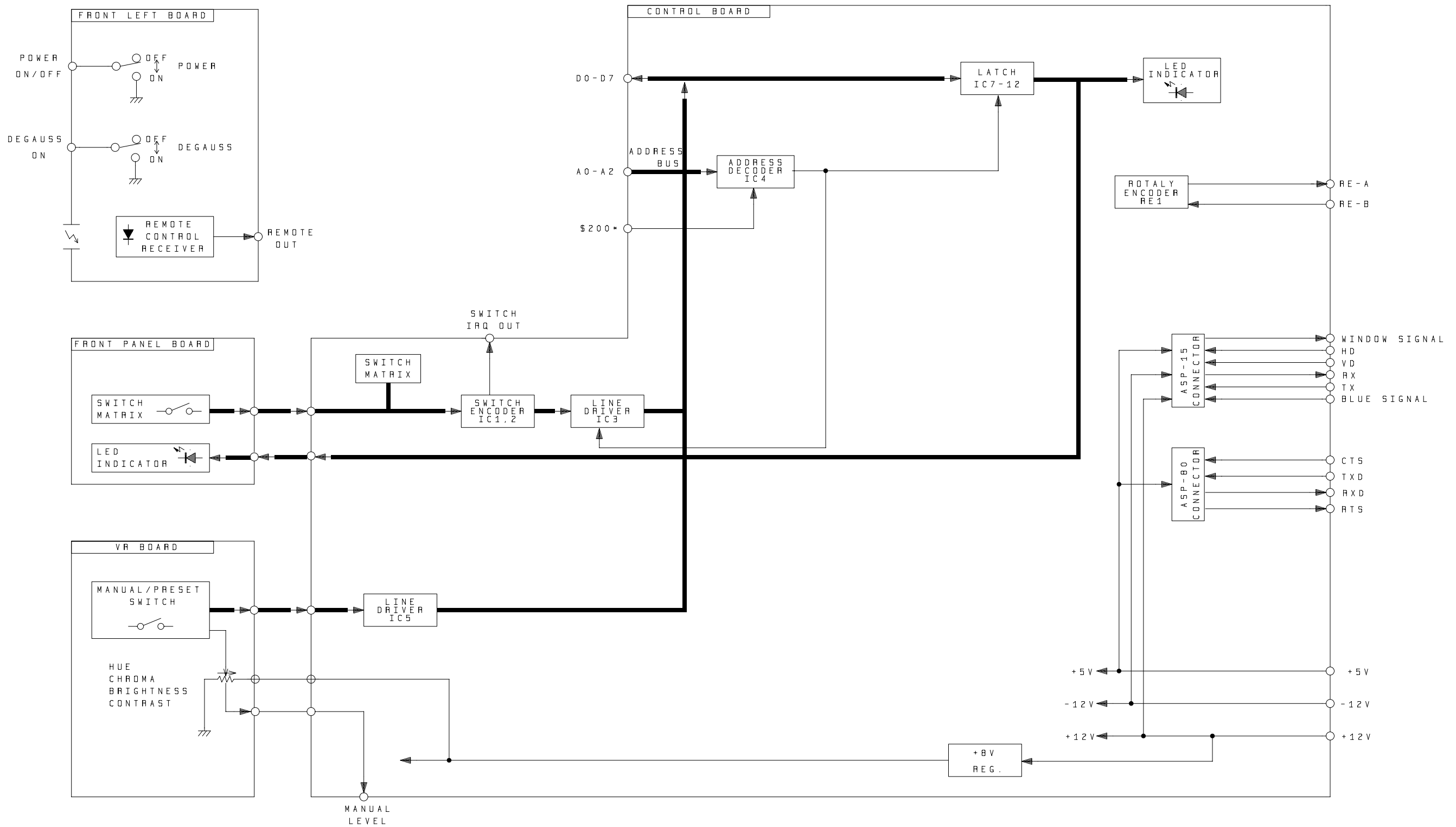
POWER USA BOARD 1/1
BLOCK DIAGRAM

C3-N64150

1-C-11



HTM-1517R/1917R
 MULTI FORMAT COLOR MONITOR
 POWER USA BOARD
 SCHEMATIC DIAGRAM

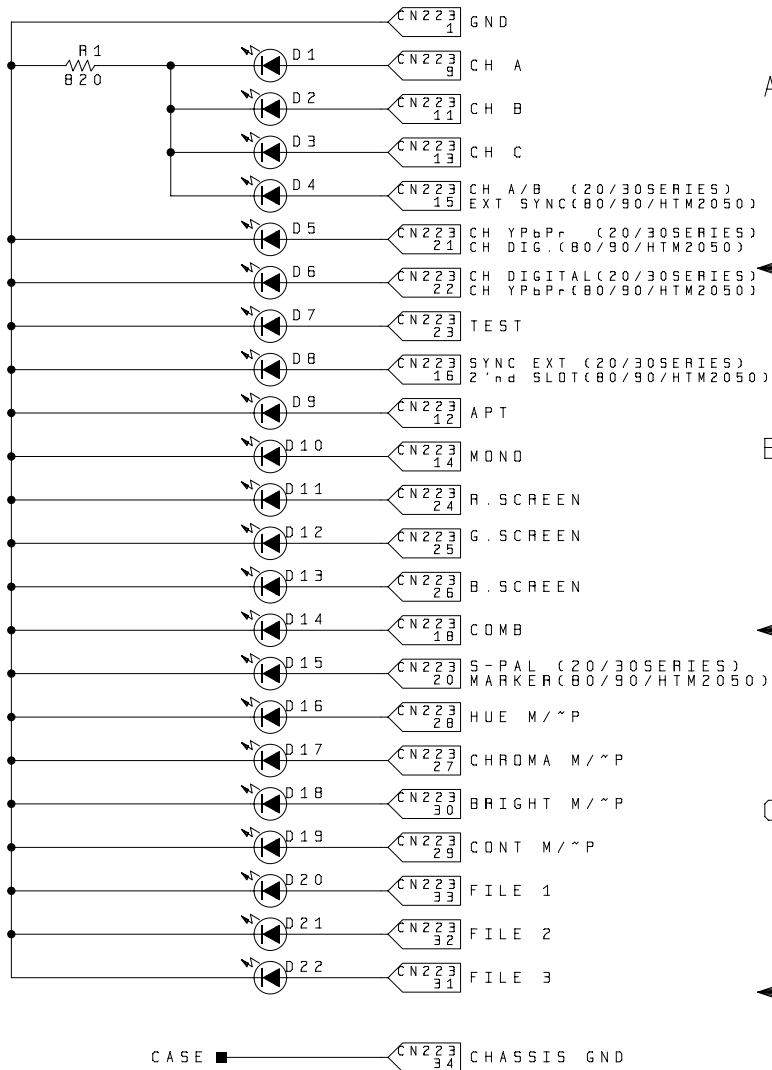


HTM-1517R/1917R/1990R
 MULTI FORMAT COLOR MONITOR

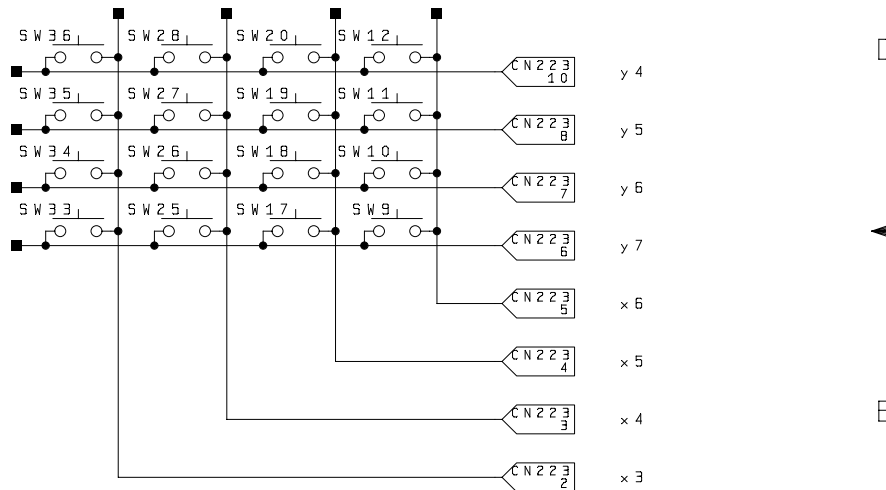
CONTROL SYSTEM 1 / 1
 BLOCK DIAGRAM

C3-905713

D1 to D15 : TLG226
 D20 to D22 : TLG226
 D16 to D19 : TLY226



S9 : DIGITAL (20/30SERIES)
 YPbPr (80/90/HTM2050)
 S10 : R. SCREEN
 S11 : G. SCREEN
 S12 : B. SCREEN
 S17 : DELAY (20/30SERIES)
 ASPECT (80/90/HTM2050)
 S18 : MONO
 S19 : SCAN
 S20 : APT
 S25 : SYNC EXT (20/30SERIES)
 2nd SLOT (80/90/HTM2050)
 S26 : COMB
 S27 : S-PAL (20/30SERIES)
 MARKER (80/90/HTM2050)
 S28 : SAFE TITLE (20/30SERIES)
 DELAY (80/90/HTM2050)
 S33 : TEST
 S34 : UP SELECT
 S35 : DOWN SELECT
 S36 : YPbPr (20/30SERIES)
 DIGITAL (80/90/HTM2050)

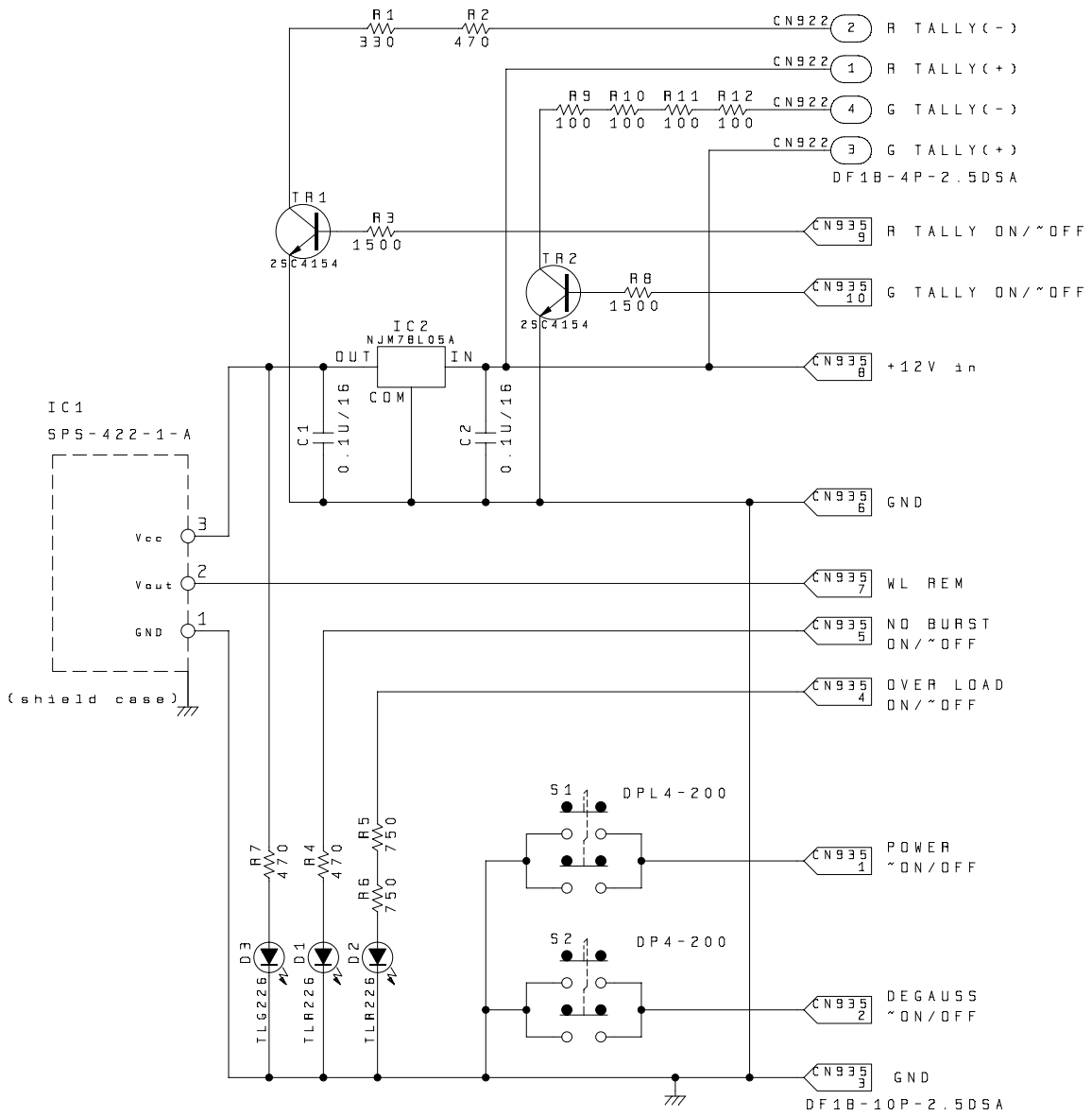


HTM-1517R/1917R/1990R
 MULTI FORMAT COLOR MONITOR

FRONT PANEL BOARD 1 / 1 F
 SCHEMATIC DIAGRAM

REV.

C 4 - 9 0 4 2 2 5 2



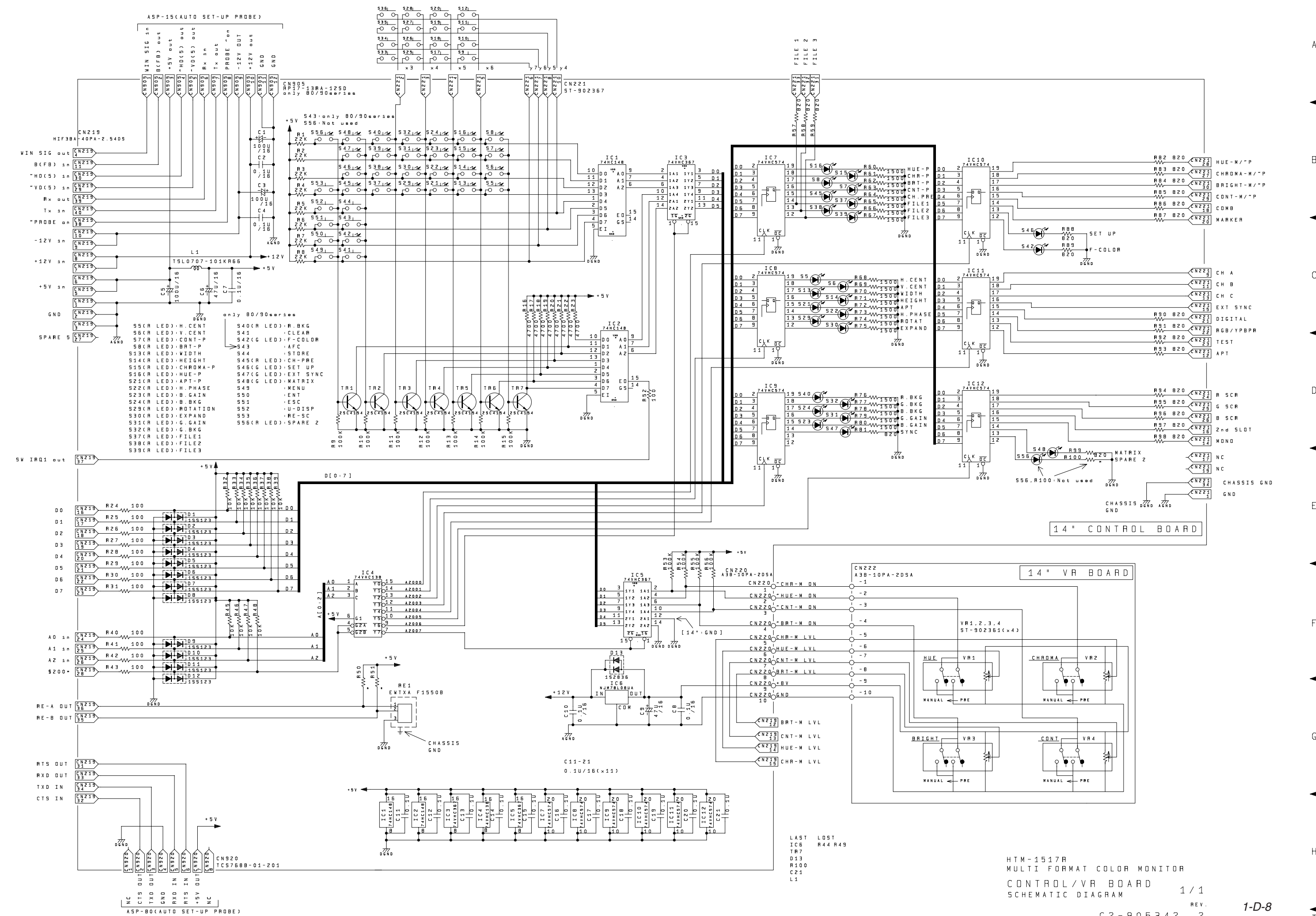
HTM-1517R/1917R/1990R
 MULTI FORMAT COLOR MONITOR
 FRONT LEFT BOARD
 SCHEMATIC DIAGRAM

1 / 1 F

REV.

C4-905339 2

1-D-5



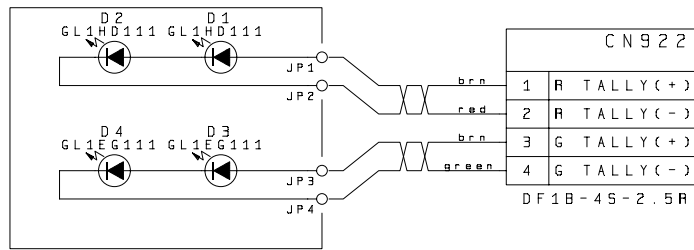
A

B

C

D

E



HTM-1517R/1917R/1990R
 MULTI FORMAT COLOR MOMITOR

LED BOARD
 SCHEMATIC DIAGRAM

1 / 1 F

REV.

C4-905470 2